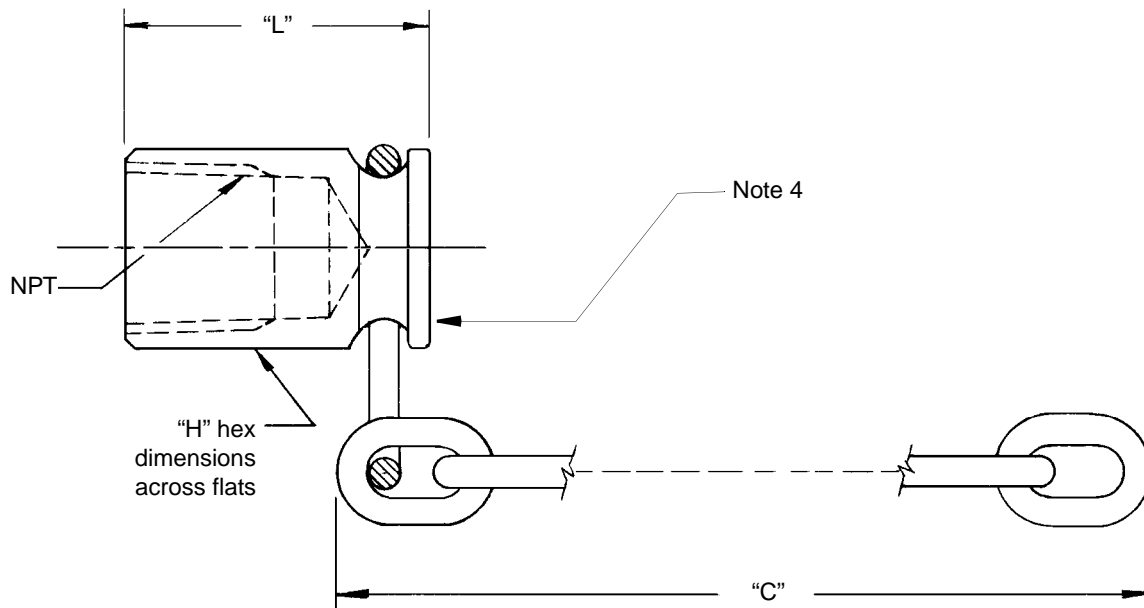


**CAPS, NOZZLES & PLUGS
PIPE CAP AND CHAIN ASSEMBLIES**

32 THRU 34, 38, 39 & 40 SERIES

© 2002 Midland Manufacturing Corp.
All designs subject to change without notice. Installation dimensions and mounting arrangements are for general information. Certified drawings are available upon request.



SIZE NPT (INCHES)	STEEL	STAINLESS	DIMENSIONS (INCHES)		
	PART NO.	PART NO.	"C"	"H"	"L"
1/4	32-CS	32-SS	8	3/4	1 3/16
3/8	322-CS	322-SS	12	7/8	1 5/16
1/2	323-CS	323-SS	12	1 1/8	1 9/16
3/4 ⁽⁴⁾	33-CS	33-SS	12	1 1/4	1 1/2
1	34-CS	34-SS	12	1 1/2	
2	38-CS	38-SS	6	2 5/8	1 15/16
2	381-CS ⁽⁵⁾	381-SS	12	2	2 1/2
2	383-CS ⁽⁵⁾	383-SS	12	1 1/2	2 1/2
2 1/2	385-CS ⁽⁵⁾	385-SS	12	2 1/2	3 3/16
3	39-CS ⁽⁵⁾	39-SS	12	2	3 3/16
4	40-CS ⁽⁵⁾	40-SS	14	3	3-11/16
2	382-CS ⁽⁵⁾	382-SS	12	1 3/4	2 1/2
2	384-CS ⁽⁵⁾	384-SS	12	1 5/8	2 1/2

- NOTES:**
1. Pipe caps are normally furnished with attached chains, but can be obtained without chains.
 2. Specify chain material. Example: 33 SS/CS is a 3/4" stainless cap with a steel chain.
 3. Standard chain lengths shown, alternates are available.
 4. For 3/16" dia optional hole use suffix "-x". Hole is included on 3/4" size cap.
 5. These caps have round bodies with hex on opposite side of chain and are also available in -CH and -MO materials.



TO PLACE AN ORDER, OR JUST ASK A QUESTION, CALL (847) 677 - 0333 OR FAX (847) 677 - 0138

REVISION 4.0

8/25/05