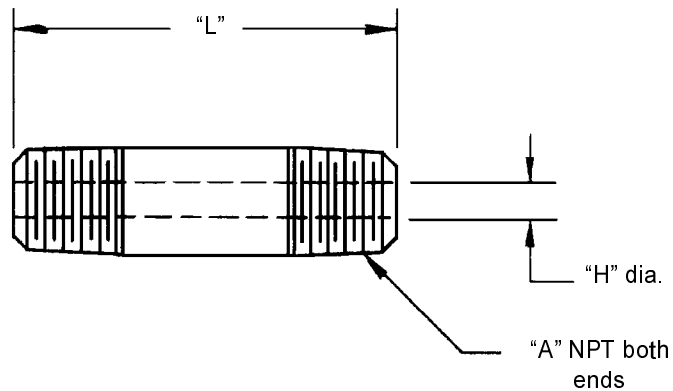
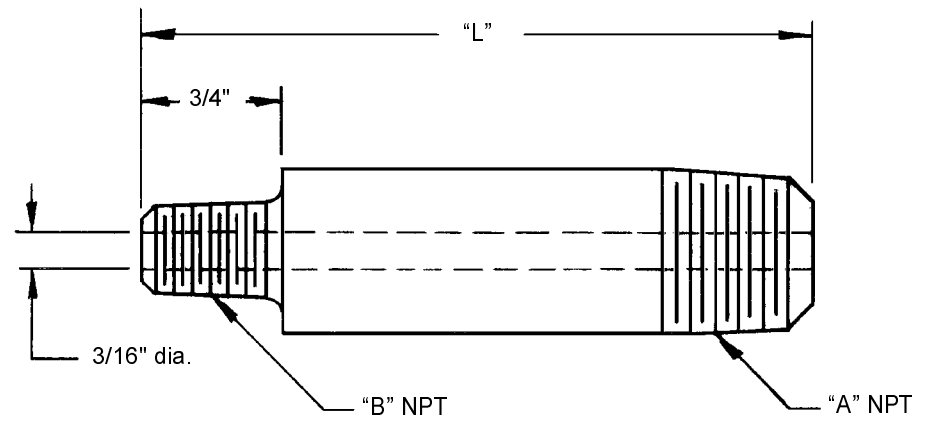


PART NO.	DIMENSIONS (INCHES)		
	"L"	"A"	"H"
41-SS	1 1/2"	1/4"	3/16"
42-SS	2"		
44-SS	4"		
43-SS	6"	3/4"	1/2"
47-SS	4"		
472-SS	2 1/2"		
473-SS	2"		
48-SS	4"	3/8"	3/16"

304 SS		316 SS		DIMENSIONS (INCHES)		
PART NO.	PART NO.	"L"	"A"	"B"		
45-SS	45-MO	3 1/2"	1/2"	1/4"		
45A-SS	45A-MO	4"				
49-SS	49-MO	3 1/2"	3/4"	1/4"		
421-SS	421-MO	2"	1/4"	1/8"		
441-SS	441-MO	4"				
443-SS	443-MO	4"	3/8"	1/4"		



NIPPLE



REDUCING NIPPLE