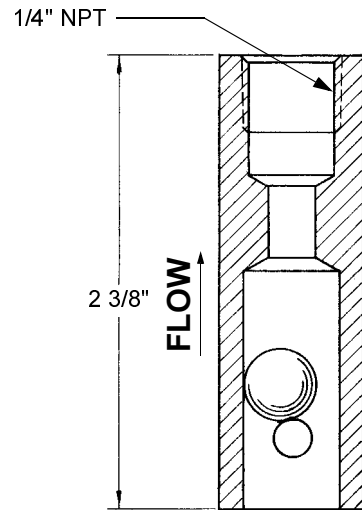
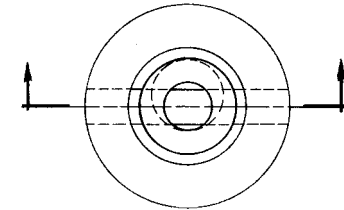
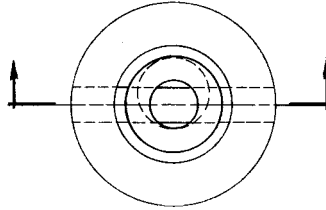
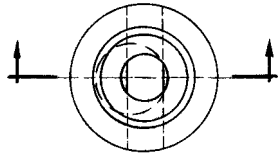


© 2002 Midland Manufacturing Corp.

All designs subject to change without notice. Installation dimensions and mounting arrangements are for general information. Certified drawings are available upon request.

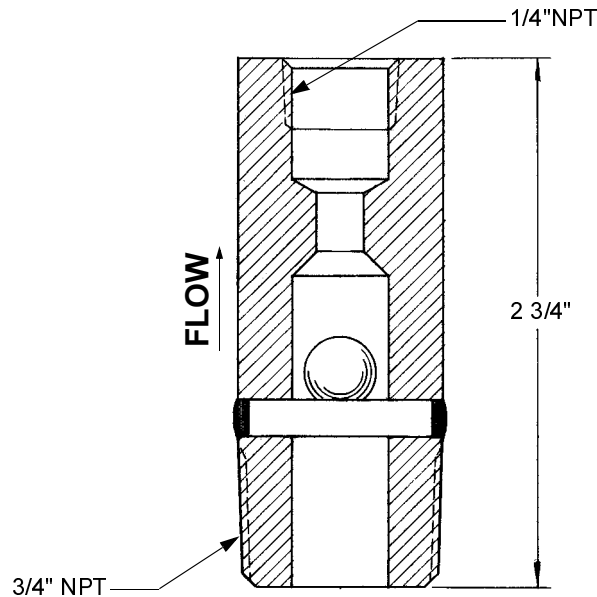
1/4"



MATERIAL: STAINLESS STEEL

A-112

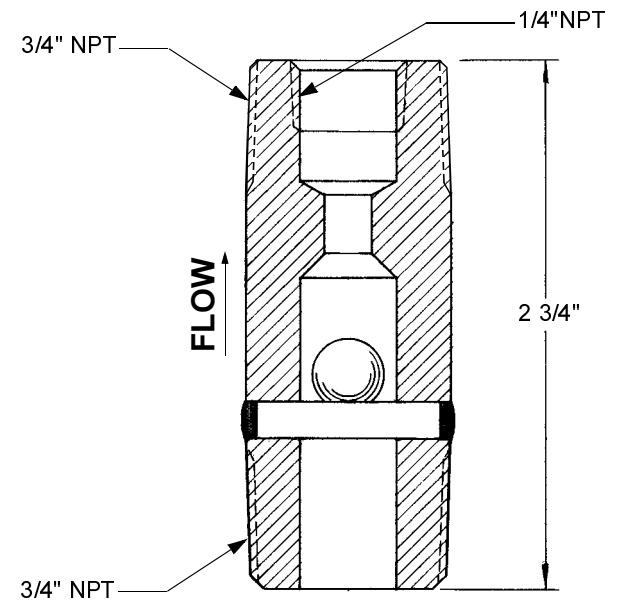
FOR GAGING DEVICE



MATERIAL: STAINLESS STEEL

A-114

FOR SAMPLE LINE



MATERIAL: STAINLESS STEEL

A-114-T

FOR SAMPLE LINE



TO PLACE AN ORDER, OR JUST ASK A QUESTION, CALL (847) 677 - 0333 OR FAX (847) 677 - 0138

REVISION 4.0

7/18/94