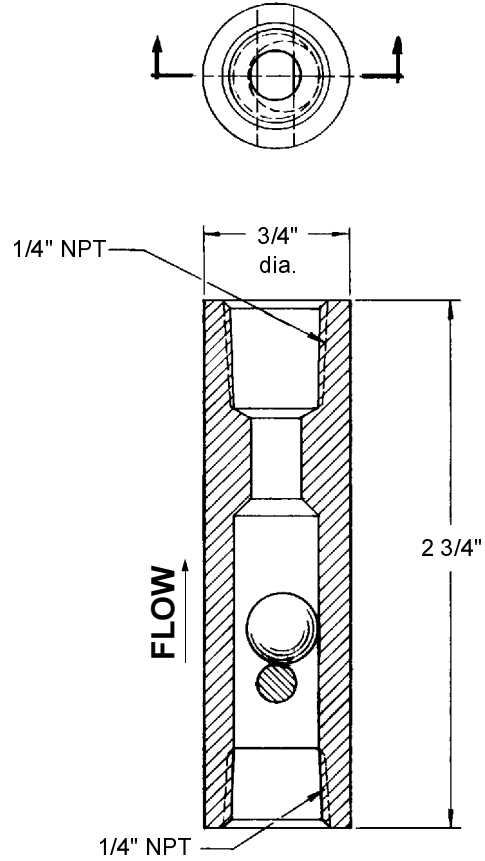
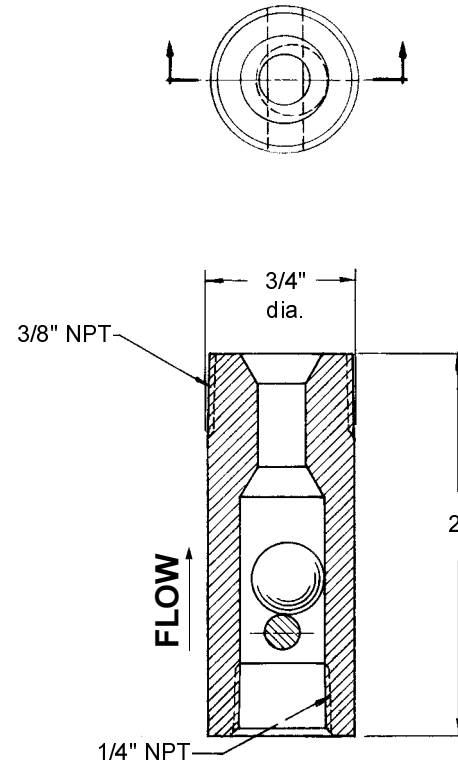


© 2002 Midland Manufacturing Corp.
 All designs subject to change without notice. Installation dimensions and mounting
 arrangements are for general information. Certified drawings are available upon request.



MATERIAL: STAINLESS STEEL

A-116



MATERIAL: STAINLESS STEEL

A-116-3



TO PLACE AN ORDER, OR JUST ASK A QUESTION, CALL (847) 677 - 0333 OR FAX (847) 677 - 0138

REVISION 4.0

7/18/94