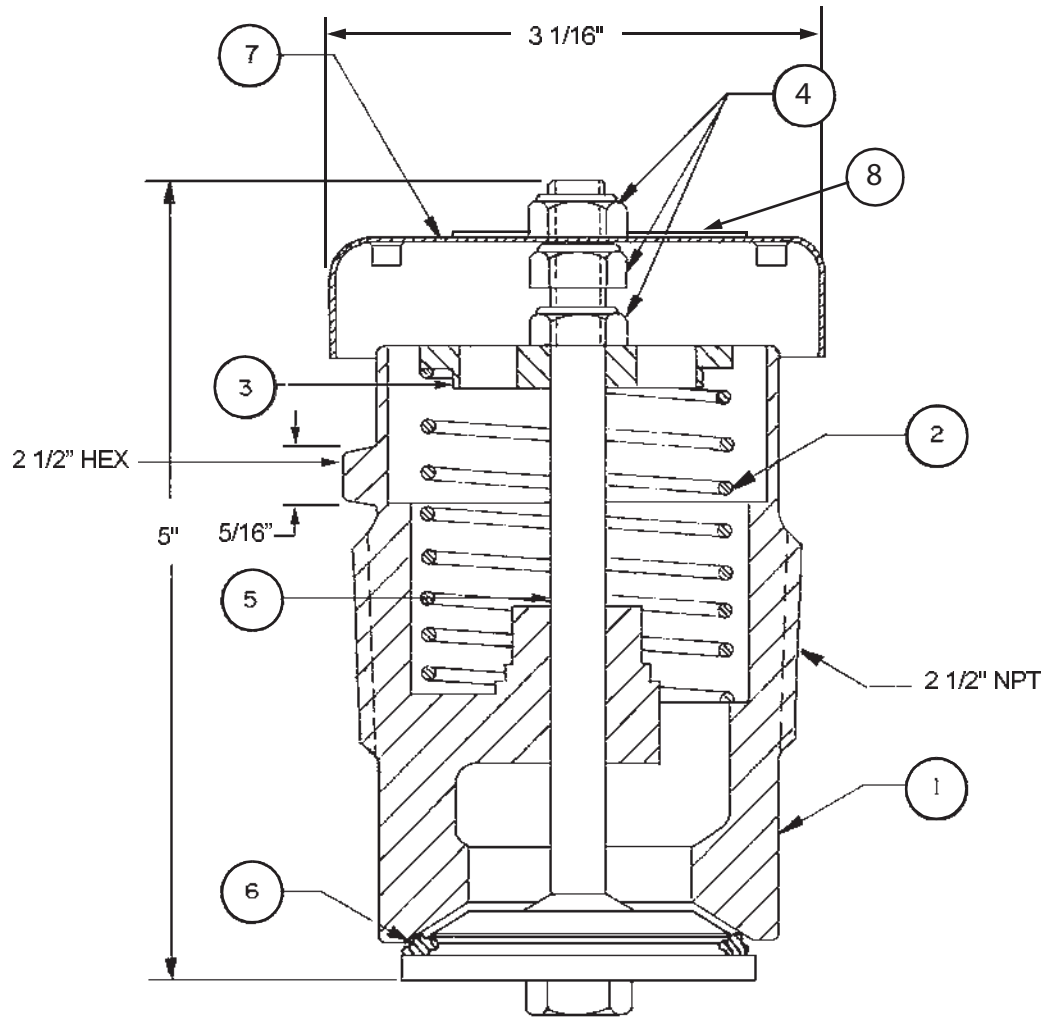


© 2002 Midland Manufacturing Corp.  
 All designs subject to change without notice. Installation dimensions and mounting  
 arrangements are for general information. Certified drawings are available upon request.

2 1/2" NPT, 10 PSI



ITEM NO.	QTY.	PART NAME	A-209-W-10	
			MATERIAL	PART NO.
1	1	BODY	STAINLESS	209-11-SS
2	1	SPRING	STAINLESS	612-5-SS
3	1	SPRING SEAT	STAINLESS	209-31-SS
4	3	LOCK NUT	STAINLESS	207-4-SS
5	1	STEM	STAINLESS	207-5-SS
6	1	PRESSURE SEAL	BUNA-N <sup>(1)</sup>	205-6-BN
7	1	WEATHER CAP	STAINLESS	205-7-SS
8	1	NAMEPLATE	STAINLESS	209-87-SS

NOTE: 1 Alternate material available

Specify 10 PSI setting when ordering.

Net flow area: 1.12 square inches