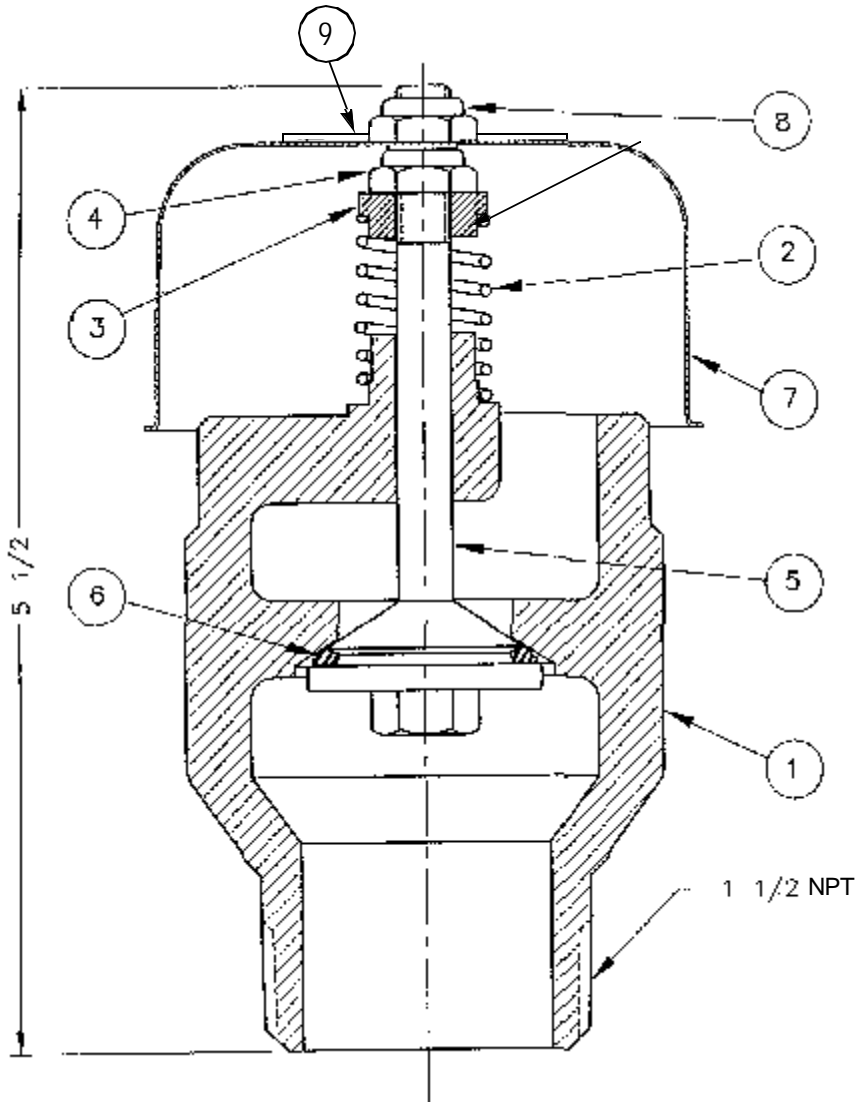


© 2002 Midland Manufacturing Corp.

All designs subject to change without notice. Installation dimensions and mounting arrangements are for general information. Certified drawings are available upon request.

1 1/2" NPT



ITEM NO.	QTY.	PART NAME	A-215-W		A-217-W		A-217-W-MO	
			MATERIAL	PART NO.	MATERIAL	PART NO.	MATERIAL	PART NO.
1	1	BODY	STEEL	215-1-CS	STAINLESS	217-1-MO	STAINLESS	217-1-MO
2	1	SPRING	STAINLESS	SEE TABLE	STAINLESS	SEE TABLE	STAINLESS	SEE TABLE
3	1	SPRING SEAT	STAINLESS	217-3-SS	STAINLESS	217-3-SS	STAINLESS	217-3-SS
4	2	LOCK NUT	STEEL	215-4-CS	STAINLESS	217-4-SS	STAINLESS	217-41-SS
5	1	STEM	STAINLESS	217-5-SS	STAINLESS	217-5-SS	STAINLESS	217-5-MO
6	1	PRESSURE SEAL	BUNA-N ⁽¹⁾	215-6-BN	BUNA-N ⁽¹⁾	215-6-BN	BUNA-N ⁽¹⁾	215-6-BN
7	1	WEATHER CAP	STAINLESS	215-7-SS	STAINLESS	215-7-SS	STAINLESS	215-7-SS
8								
9	1	NAMEPLATE	STAINLESS	215-86-SS	STAINLESS	215-86-SS	STAINLESS	215-86-SS

NOTE: 1 Alternate material available

Standard minimum start to discharge pressure setting is 0.75 PSI vacuum. Alternate vacuum settings are shown in table.

Net flow area: 0.71 square inches

VACUUM SETTING (PSI)	SPRING P/N
.75	215-2-MO
3	215-27-MO
4	215-23-MO
5-8	215-24-MO
10	215-25-MO



TO PLACE AN ORDER, OR JUST ASK A QUESTION, CALL (847) 677 - 0333 OR FAX (847) 677 - 0138

REVISION 4.0

5/20/04