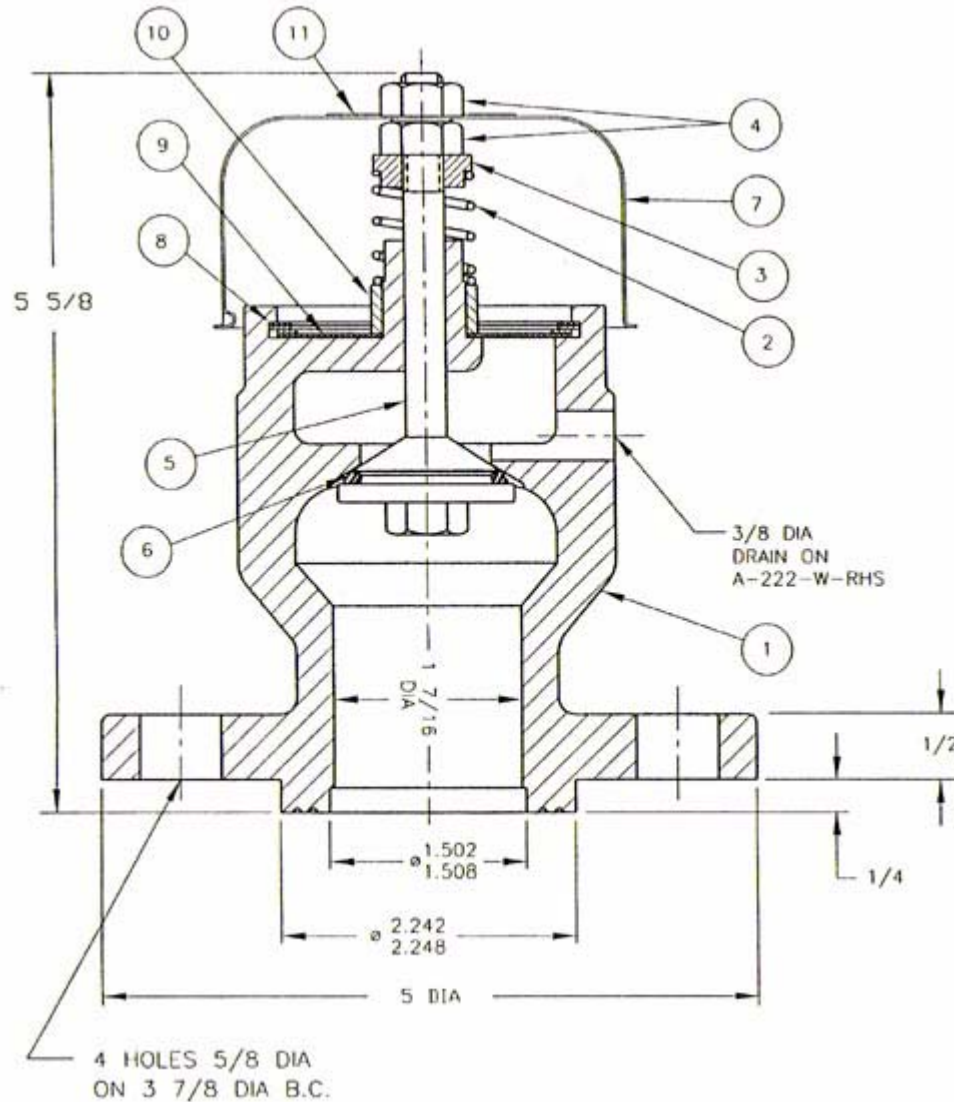


VACUUM RELIEF VALVES
FLANGED - WEATHER CAP

© 2002 Midland Manufacturing Corp.
All designs subject to change without notice. Installation dimensions and mounting arrangements are for general information. Certified drawings are available upon request.



ITEM NO.	QTY.	PART NAME	A-222-W-RS		A-222-W-RHS	
			MATERIAL	PART NO.	MATERIAL	PART NO.
1	1	BODY	STAINLESS	222-11-MO	STAINLESS	222-112-MO
2	1	SPRING	STAINLESS	215-2-MO	STAINLESS	215-2-MO
3	1	SPRING SEAT	STAINLESS	217-3-SS	STAINLESS	217-3-SS
4	2	LOCK NUT	STAINLESS	217-4-SS	STAINLESS	217-4-SS
5	1	STEM	STAINLESS	217-5-SS	STAINLESS	217-5-SS
6	1	PRESSURE SEAL	BUNA-N ⁽¹⁾	215-6-BN	BUNA-N ⁽¹⁾	215-6-BN
7	1	WEATHER CAP	STAINLESS	215-7-SS	STAINLESS	215-7-SS
8	1	RETAINER RING	STAINLESS	217-8-SS	STAINLESS	217-8-SS
9	1	SCREEN ASSEMBLY	STAINLESS	217-9-SS	STAINLESS	217-9-SS
10	1	NAMEPLATE	STAINLESS	215-86-SS	STAINLESS	215-86-SS
11	1	SPACER	STAINLESS	222-10-SS	STAINLESS	222-10-SS

NOTE: 1 Alternate material available. 2 For drain hole use model number A-222-W-RHS

Standard minimum start to discharge pressure setting is 0.75 PSI vacuum.
Alternate vacuum settings are shown in table.

VACUUM SETTING (PSI)	SPRING P/N
.75	215-2-MO
3	215-27-MO
4	215-23-MO
5-8	215-24-MO
10	215-25-MO

Net flow area: 0.71 square inches

