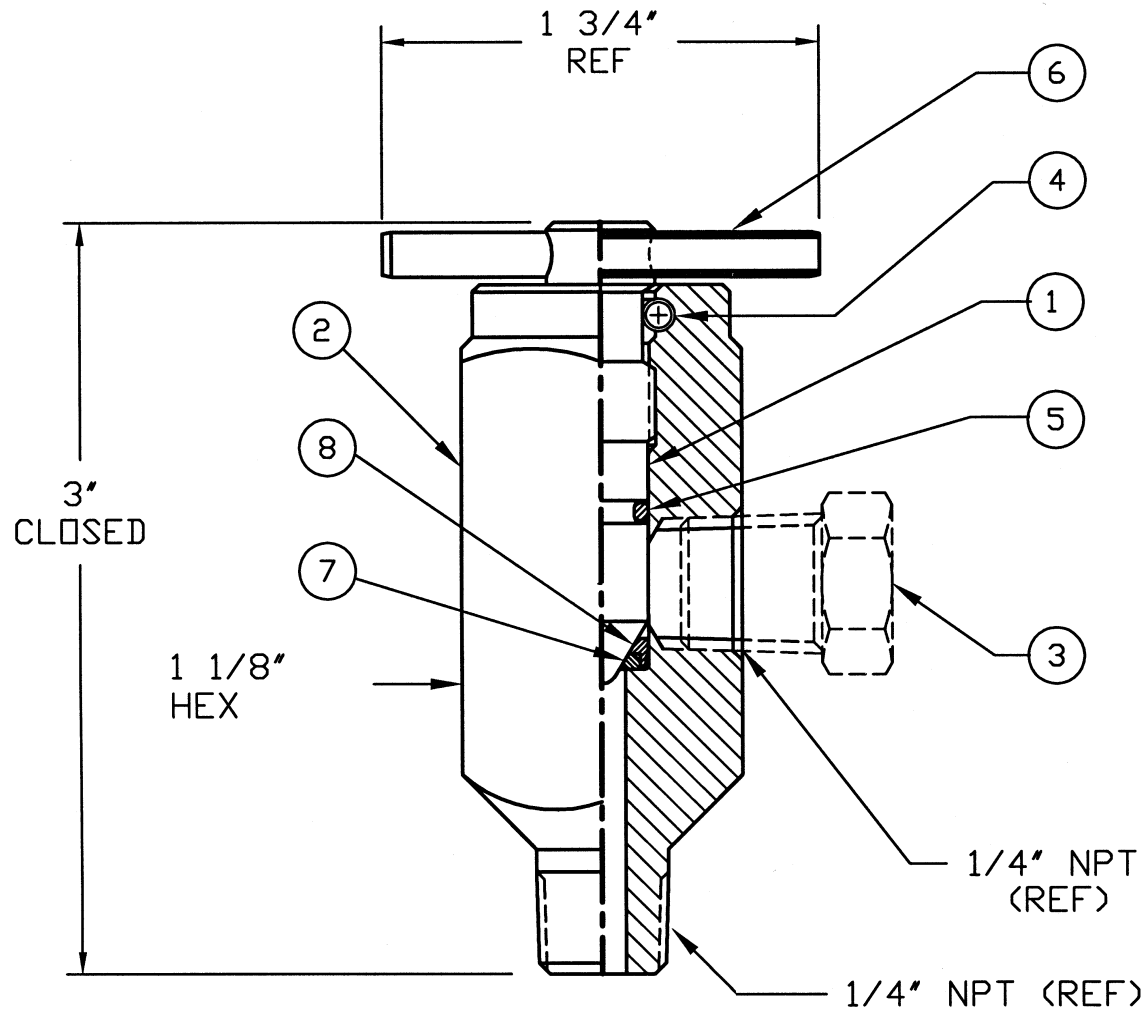


© 2002 Midland Manufacturing Corp.

All designs subject to change without notice. Installation dimensions and mounting arrangements are for general information. Certified drawings are available upon request.

1/4" NPT



ITEM NO.	QTY.	PART NAME	A-253-M-SS		A-253-M-MO	
			MATERIAL	PART NO.	MATERIAL	PART NO.
1	1	STEM	STAINLESS	253-1-SS	STAINLESS	253-1-MO
2	1	BODY	STAINLESS	253-21-SS	STAINLESS	253-21-MO
3	1	PLUG <sup>(1)</sup>	STAINLESS	20-SS	STAINLESS	20-SS <sup>(3)</sup>
4	1	ROLL PIN	STAINLESS	253-4-SS	STAINLESS	253-4-SS
5	1	"O" RING	BUNA-N <sup>(2)</sup>	253-5-BN	BUNA-N <sup>(2)</sup>	253-5-BN
6	1	HANDLE	STAINLESS	253-6-SS	STAINLESS	253-6-SS
7	1	SEAT	TEFLON	254-7-TF	TEFLON	254-7-TF
8	1	RETAINER	STAINLESS	254-8-SS	STAINLESS	254-8-MO

NOTE: 1 Optional- not furnished unless requested. 2 Alternate material available. 3 Alternate 21-SS plug has #54 hole.



TO PLACE AN ORDER, OR JUST ASK A QUESTION, CALL (847) 677 - 0333 OR FAX (847) 677 - 0138

REVISION 4.0

6/12/02