

**RUPTURE DISC DEVICES
2" AIR CONNECTION - THREADED**

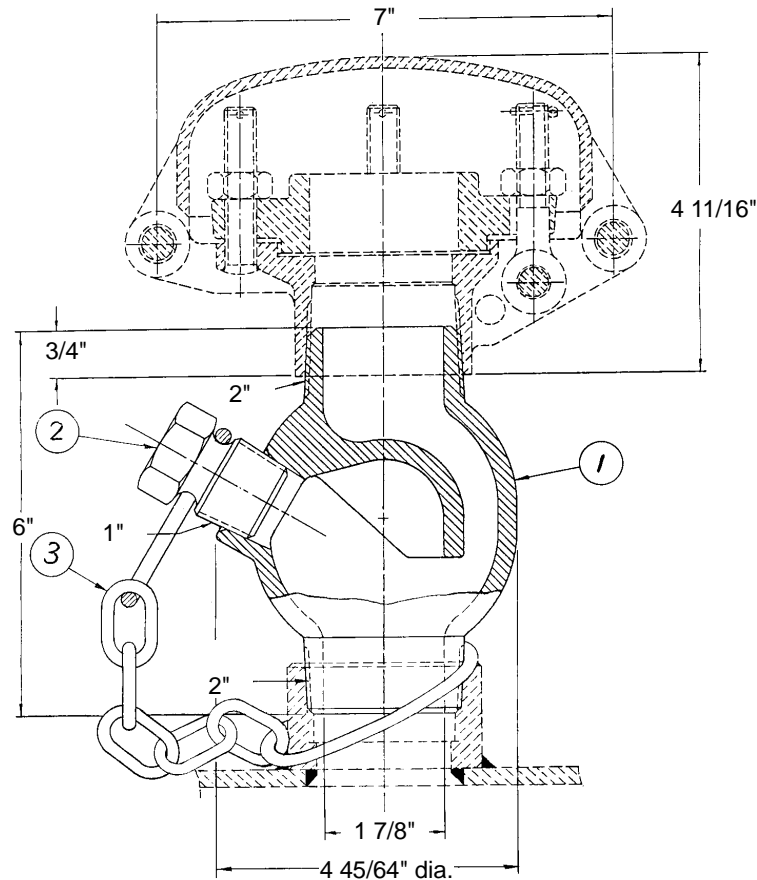
**A-425-15-CS, A-425-15-XS,
A-425-15-SS, A-425-15-MO**

© 2002 Midland Manufacturing Corp.

All designs subject to change without notice. Installation dimensions and mounting arrangements are for general information. Certified drawings are available upon request.

ITEM NO.	QTY.	PART NAME	A-425-15-CS		A-425-15-XS		A-425-15-SS		A-425-15-MO	
			MATERIAL	PART NO.	MATERIAL	PART NO.	MATERIAL	PART NO.	MATERIAL	PART NO.
1	1	BODY	STEEL	425-15-CS	STEEL/SS INSERT	425-15-XS	STAINLESS	425-15-SS	316 STAINLESS	425-15-MO
2	1	PLUG ⁽²⁾	STEEL	24-CS	STEEL	24-CS	NITRONIC 60	24-N60	NITRONIC 60	24-N60
3	1	CHAIN ASSEMBLY	STEEL	24-10-CS	STEEL	24-10-CS	STEEL ⁽¹⁾	24-10-CS	STEEL ⁽¹⁾	24-10-CS

NOTE: 1. Alternate material available. 2. Order 1" nipple 3" long (part number 425-154) and cap 1" NPT (part number 34) separately if required instead of plug (part number 24) and specify materials.



TANK PRESSURE (PSIG)	DISCHARGE FLOW COEFFICIENT
85	.83
88	.82
181	.76



TO PLACE AN ORDER, OR JUST ASK A QUESTION, CALL (847) 677 - 0333 OR FAX (847) 677 - 0138

REVISION 4.0

1/10/05