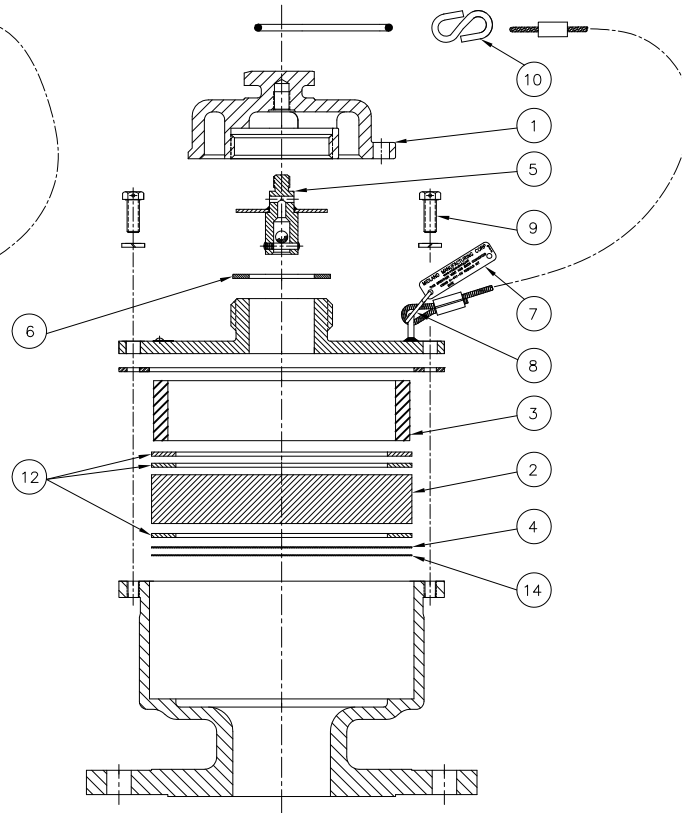


-GT VERSION

BEFORE K-441-CV KIT INSTALLATION



-CV VERSION

AFTER K-441-CV KIT INSTALLATION

ITEM NO.	QTY.	PART NO.	DESCRIPTION	MATERIAL
1	1	441-101-AL	VENT COVER	ALUMINUM 443
2	1	441-3-FL	FILTER	CERAMIC
3	1	441-5-AL	SPACER	ALUMINUM
4	1	441-6-SS	MESH SCREEN	STAINLESS STEEL
5	1	A-114-BV	CHECK VALVE	STAINLESS STEEL
6	1	441-11-KS	TOP GASKET	KORO SEAL
7	1	441-801-SS	NAMEPLATE	STAINLESS STEEL
8	1	441-800-SS	S-HOOK (NAMEPLATE)	STAINLESS STEEL
9	2	441-71-SS	BOLT W/SEAL HOLE	STAINLESS STEEL
10	1	429-1001-SS	S-HOOK (CABLE)	STAINLESS STEEL
11				
12	3	441-14-VA	FILTER GASKET	VITON A
13				
14	1	441-61-SS	SUPPORT SCREEN	STAINLESS STEEL

MIDLAND MANUFACTURING CORP.
SKOKIE, IL, U.S.A.

K-441-CV KIT INSTRUCTIONS
(EXPLODED VIEW)

MATERIAL: SEE TABLE	TOLERANCES UNLESS SPECIFIED: 2 PLACE DECIMAL ± .015 3 PLACE DECIMAL ± .005 ANGULAR ± 1', FRACTIONS ± 1/64 CHAMFERS AND WELD PREP ±5'
REMOVE ALL BURRS. BREAK ALL EDGES & CORNERS.	FINISH (Ra) : √ = 125

SCALE: 1:4 DRAWN: FS DATE: 10/22/07 APPROVED: MN

CAD FILE NO. 8474 SIZE B DWG NO. 441-INST-EX REV

LTR	REVISIONS	DRN	DATE	APP