

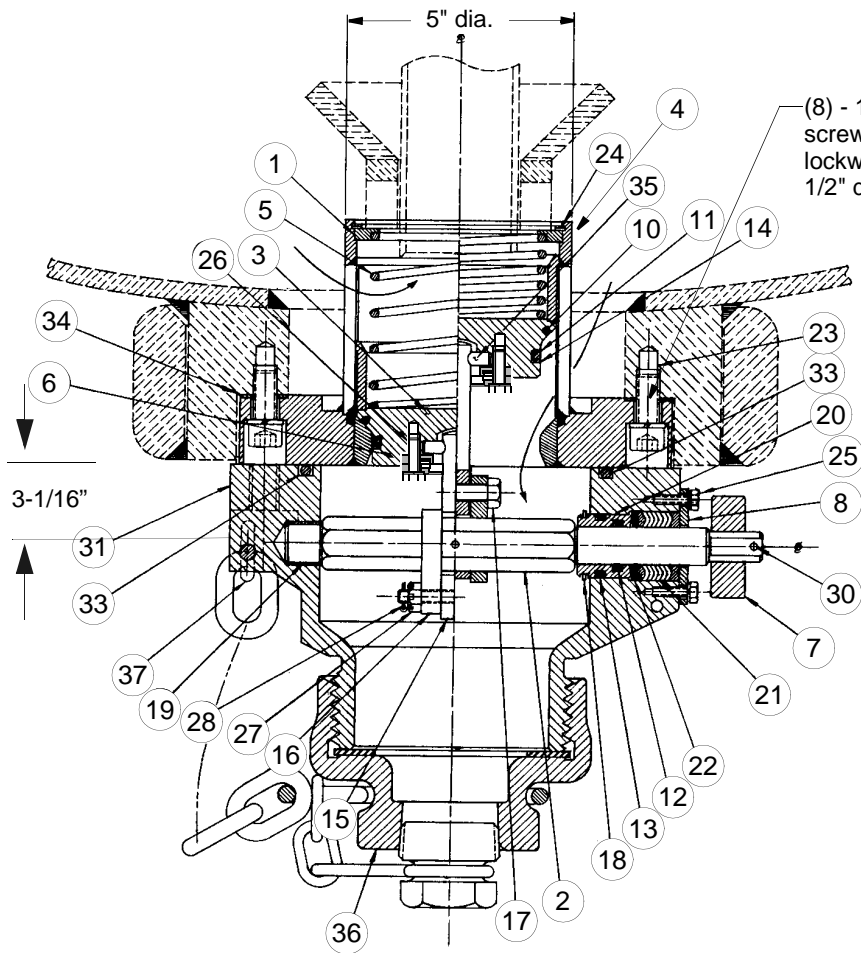
BOTTOM EQUIPMENT

A-538-CS, A-538-SS, A-538-MO

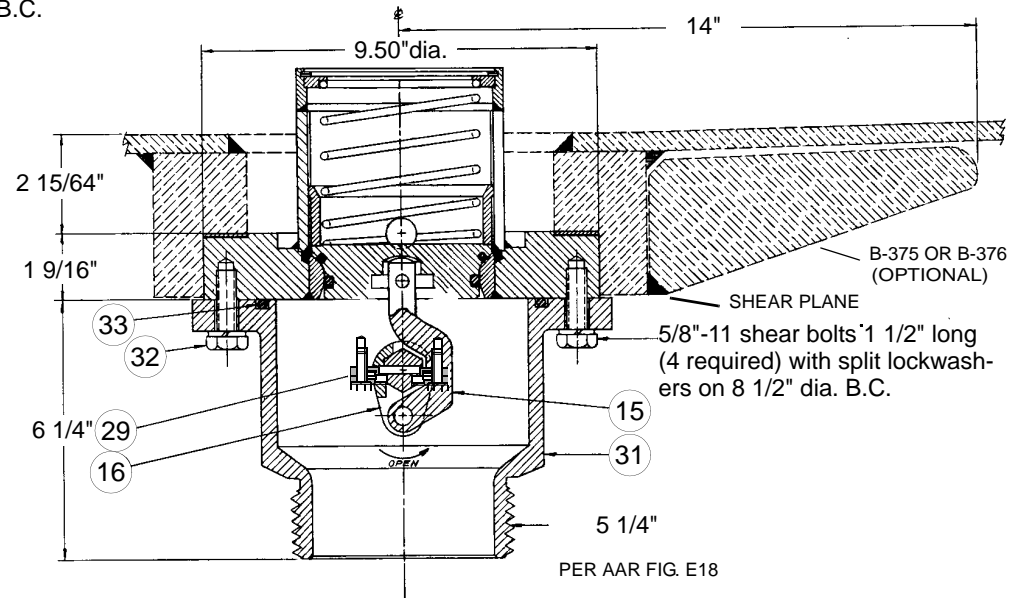
OUTLET VALVE

© 2003 Midland Manufacturing Corp.

All designs subject to change without notice. Installation dimensions and mounting arrangements are for general information. Certified drawings are available upon request.



NOTE: APPROVED FOR PROTECTION LEVEL A OF AAR CIRCULAR D.V. 2007 WHEN APPLIED WITH B-375 OR B-376



PATENT 5,342,026



TO PLACE AN ORDER, OR JUST ASK A QUESTION, CALL (847) 677 - 0333 OR FAX (847) 677 - 0138

REVISION 4.0

6/10/04



TO PLACE AN ORDER, OR JUST ASK A QUESTION, CALL (847) 677 - 0333 OR FAX (847) 677 - 0138

REVISION 4.0

8/19/05

ITEM	QTY.	PART NAME	A-538-CS (CARBON STEEL/SS TRIM)		A-538-SS (TYPE 304-SS)		A-538-MO (TYPE 316-SS)	
			MATERIAL	PART NO.	MATERIAL	PART NO.	MATERIAL	PART NO.
1	1	SPRING SEAT ⁽³⁾	STAINLESS	539-1-SS	STAINLESS	539-1-SS	STAINLESS	539-1-MO
2	1	SHAFT	STAINLESS	545-2-SS	STAINLESS	545-2-SS	STAINLESS	545-2-SS
3	1	RETAINER ASM	STAINLESS	539-3-SS	STAINLESS	539-3-SS	STAINLESS	539-3-MO
4	1	BODY	STEEL/ SS SEAT	538-4-XS	STAINLESS	538-4-SS	STAINLESS	538-4-MO
5	1	SPRING ⁽³⁾	STAINLESS	539-5-SS	STAINLESS	539-5-SS	STAINLESS	539-5-MO
6	1	RETAINER COVER ASM	STAINLESS	549-61-SS	STAINLESS	549-61-SS	STAINLESS	549-61-MO
7	1	HANDLE	STEEL	549-7-CS ⁽²⁾	STEEL	549-7-CS ⁽²⁾	STEEL	545-7-CS ⁽²⁾
8	1	PACKING FLANGE	STEEL, PLATED	549-8-CS	STEEL, PLATED	549-8-CS	STEEL, PLATED	549-8-CS
9								
10	1	SEAT "O" RING	BUNA-N ⁽¹⁾	539-10-BN	BUNA-N ⁽¹⁾	539-10-BN	BUNA-N ⁽¹⁾	539-10-BN
11	1	BORE "O" RING	BUNA-N ⁽¹⁾	539-11-BN	BUNA-N ⁽¹⁾	539-11-BN	BUNA-N ⁽¹⁾	539-11-BN
12	1	SHAFT "O" RING	BUNA-N ⁽¹⁾	545-12-BN	BUNA-N ⁽¹⁾	545-12-BN	BUNA-N ⁽¹⁾	545-12-BN
13	1	BUSHING "O" RING	BUNA-N ⁽¹⁾	545-13-BN	BUNA-N ⁽¹⁾	545-13-BN	BUNA-N ⁽¹⁾	545-13-BN
14	1	WIPER RING	PTFE	539-14-TF	PTFE	539-14-TF	PTFE	539-14-TF
15	1	CAM LEVER	STAINLESS	539-15-SS	STAINLESS	539-15-SS	STAINLESS	539-15-SS
16	1	CAM	STAINLESS	545-16-SS	STAINLESS	545-16-SS	STAINLESS	545-16-SS
17	1	CAM BOLT	STAINLESS	545-17-N60	STAINLESS	545-17-N60	STAINLESS	545-17-N60
18	1	RETAINER RING	STAINLESS	545-18-SS	STAINLESS	545-18-SS	STAINLESS	545-18-SS
19	1	SHAFT BUSHING	STAINLESS	545-19-N60	STAINLESS	545-19-N60	STAINLESS	545-19-N60
20	1	PACKING BUSHING	STAINLESS	545-20-N60	STAINLESS	545-20-N60	STAINLESS	545-20-N60
21	1	PACKING SET	PTFE	549-21-TF	PTFE	549-21-TF	PTFE	549-21-TF
22	1	PACKING SPRING	STAINLESS	549-22-SS	STAINLESS	549-22-SS	STAINLESS	549-22-SS
23	8	BODY BOLT	ALLOY STEEL	538-23-AS	ALLOY STEEL	538-23-AS	ALLOY STEEL	538-23-AS
24	1	RETAINER RING	STAINLESS	539-24-SS	STAINLESS	539-24-SS	STAINLESS	539-24-MO
25	4	PACKING BOLT, LOCKWASHER	STAINLESS	545-25-MO	STAINLESS	545-25-MO	STAINLESS	545-25-MO
26	4	RETAINER BOLT, LOCKWASHER	STAINLESS	545-26-MO	STAINLESS	545-26-MO	STAINLESS	545-26-MO
27	1	CAM BOLT NUT	STEEL, PLATED	545-27-CS	STAINLESS	545-27-SS	STAINLESS	545-27-MO
28	1	CAM BOLT PIN	STAINLESS	545-28-SS	STAINLESS	545-28-SS	STAINLESS	545-28-MO
29	1	CAM PIN	STAINLESS	545-29-MO	STAINLESS	545-29-MO	STAINLESS	545-29-MO
30	1	HANDLE PIN	STAINLESS	545-30-SS	STAINLESS	545-30-SS	STAINLESS	545-30-SS
31	1	BASE	DUCTILE IRON	549-31-DI	STAINLESS	549-31-SS	STAINLESS	549-31-MO
32	4	BASE BOLT, LOCKWASHER	STEEL, PLATED	547-32-CS	STEEL, PLATED	547-32-CS	STEEL, PLATED	547-32-CS
33	1	BASE "O" RING	BUNA-N ⁽¹⁾	547-33-BN	BUNA-N ⁽¹⁾	547-33-BN	BUNA-N ⁽¹⁾	547-33-BN
34	1	BODY GASKET	ASBESTOS/RUBBER ⁽¹⁾	538-34-AB	ASBESTOS/RUBBER ⁽¹⁾	538-34-AB	ASBESTOS/RUBBER ⁽¹⁾	538-34-AB
35	1	PIN	STAINLESS	549-35-N60	STAINLESS	549-35-N60	STAINLESS	549-35-N60
36	1	CAP ASSEMBLY WITH CHAIN	DUCTILE IRON/ STEEL	55-DI	STAINLESS/STEEL ⁽¹⁾	55-SS	STAINLESS/STEEL ⁽¹⁾	55-MO
37	1	EYE BOLT, NUT, LOCKWASHER	STEEL, PLATED	549-37-CS	STEEL, PLATED	549-37-CS	STEEL, PLATED	549-37-CS

NOTE: 1. Alternate material available. 2. Alternate handle shapes available. 3. Welded assembly 539-100-SS.

BOTTOM EQUIPMENT

A-538-CS, A-538-SS, A-538-MO

OUTLET VALVE

© 2003 Midland Manufacturing Corp.

All designs subject to change without notice. Installation dimensions and mounting arrangements are for general information. Certified drawings are available upon request.

BOTTOM EQUIPMENT