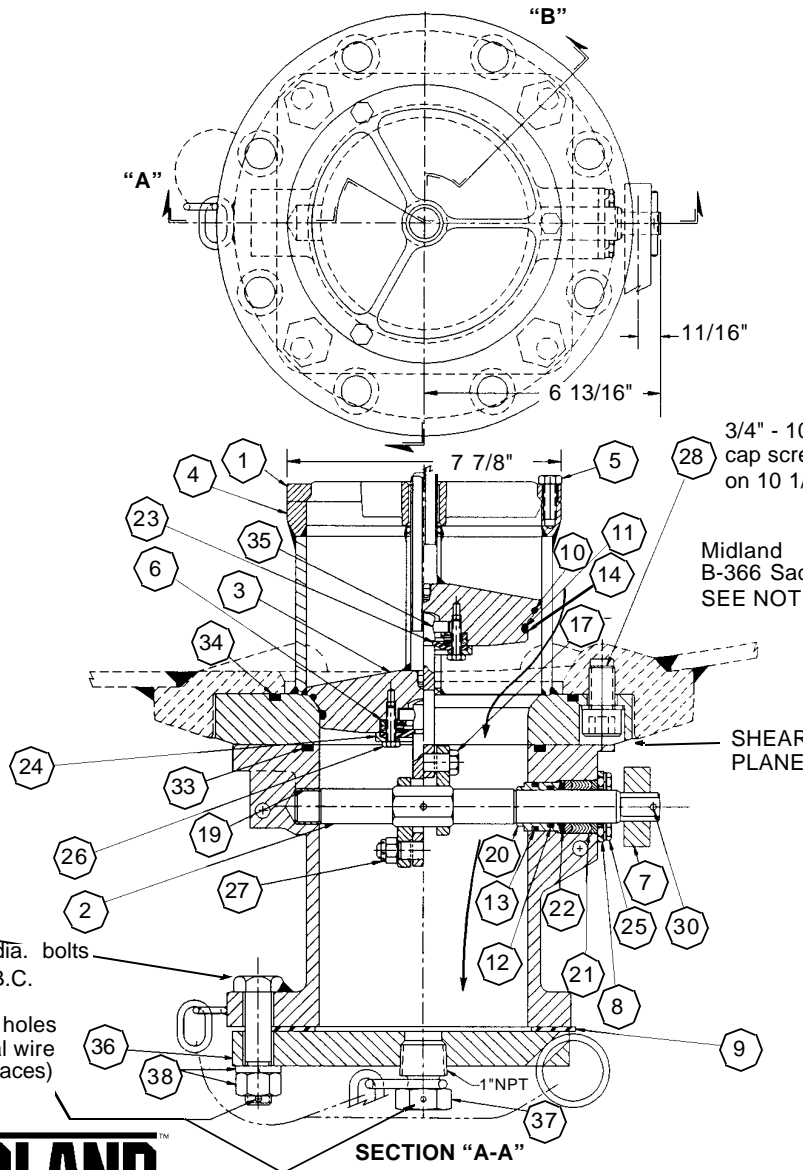


© 2003 Midland Manufacturing Corp.

All designs subject to change without notice. Installation dimensions and mounting arrangements are for general information. Certified drawings are available upon request.

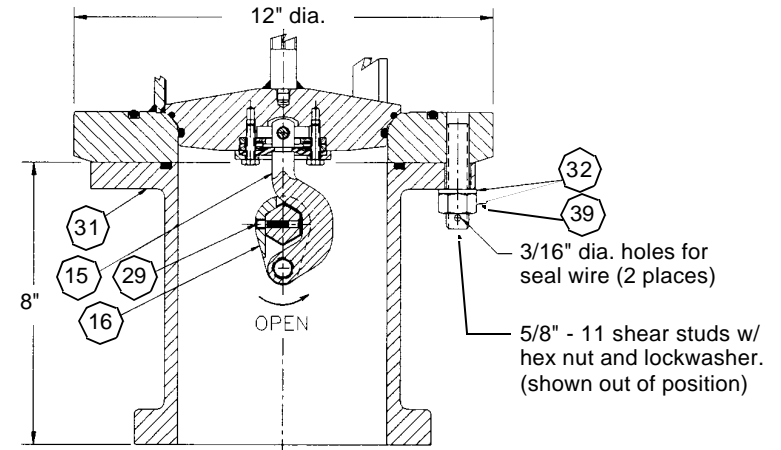
6" OUTLET VALVE - FLANGED - CORN SYRUP



NOTE: APPROVED FOR PROTECTION LEVEL A OF AAR CIRCULAR D.V. 2007.

3/4" - 10 x 1 1/4" long hex socket cap screw with split lockwasher on 10 1/4" dia. B.C. (8 required).

Midland B-366 Saddle SEE NOTE



SECTION "B-B"

ALL WETTED METAL PARTS PASSIVATED BY ELECTROPOLISHING



TO PLACE AN ORDER, OR JUST ASK A QUESTION, CALL (847) 677 - 0333 OR FAX (847) 677 - 0138

REVISION 4.0

3/30/04



TO PLACE AN ORDER, OR JUST ASK A QUESTION, CALL (847) 677 - 0333 OR FAX (847) 677 - 0138

REVISION 4.0

3/30/04

ITEM NO.	QTY.	PART NAME	A-565-SS (TYPE 304 SS)		A-565-MO (TYPE 316 SS)	
			MATERIAL	PART NO.	MATERIAL	PART NO.
1	1	TOP GUIDE	STAINLESS	565-1-SS	STAINLESS	565-1-MO
2	1	SHAFT	STAINLESS	565-2-SS	STAINLESS	565-2-SS
3	1	RETAINER ASM	STAINLESS	560-3-SS	STAINLESS	560-3-MO
4	1	BODY	STAINLESS	565-4-SS	STAINLESS	565-4-MO
5	3	TOP GUIDE BOLT	STAINLESS	565-5-SS	STAINLESS	565-5-MO
6	1	RETAINER COVER ASM	STAINLESS	565-6-SS	STAINLESS	565-6-MO
7	1	HANDLE	STEEL	549-75-CS ⁽²⁾	STEEL	549-75-CS ⁽²⁾
8	1	PACKING FLANGE	STEEL, PLATED	549-8-CS	STEEL, PLATED	549-8-CS
9	1	FLANGE GASKET	WHITE FG BUNA-N ⁽¹⁾	70-31-WBN/FDA	WHITE FG BUNA-N ⁽¹⁾	70-31-WBN/FDA
10	1	SEAT *O* RING	PTFE	560-10-TF	PTFE	560-10-TF
11	1	BORE *O* RING	PTFE	560-11-TF	PTFE	560-11-TF
12	1	SHAFT *O* RING	BUNA-N ⁽¹⁾ , FG	545-12-BN/FDA	BUNA-N ⁽¹⁾ , FG	545-12-BN/FDA
13	1	BUSHING *O* RING	BUNA-N ⁽¹⁾ , FG	545-13-BN/FDA	BUNA-N ⁽¹⁾ , FG	545-13-BN/FDA
14	1	WIPER RING	PTFE	560-14-TF	PTFE	560-14-TF
15	1	CAM LEVER	STAINLESS	566-15-SS	STAINLESS	566-15-SS
16	1	CAM	STAINLESS	560-16-SS	STAINLESS	560-16-SS
17	1	CAM BOLT	STAINLESS	560-17-N60	STAINLESS	560-17-N60
18						
19	1	SHAFT BUSHING	STAINLESS	545-19-N60	STAINLESS	545-19-N60
20	1	PACKING BUSHING	STAINLESS	560-20-N60	STAINLESS	560-20-N60
21	1	PACKING SET	PTFE	549-21-TF	PTFE	549-21-TF
22	1	PACKING SPRING	STAINLESS	549-22-SS	STAINLESS	549-22-SS
23	1	LEVER SEAL	WHITE FG BUNA-N ⁽¹⁾	560-23-WBN/FDA	WHITE FG BUNA-N ⁽¹⁾	560-23-WBN/FDA
24	1	LEVER SEAL RETAINER	STAINLESS	565-24-SS	STAINLESS	565-24-MO
25	4	PACKING BOLT, LOCKWASHER	STAINLESS	545-25-MO	STAINLESS	545-25-MO
26	4	RETAINER BOLT	STAINLESS	560-26-MO	STAINLESS	560-26-MO
27	1	CAM BOLT NUT	STAINLESS	560-27-SS	STAINLESS	560-27-MO
28	8	BODY BOLT, LOCKWASHER	STEEL, PLATED	363-2-AS	STEEL, PLATED	363-2-AS
29	1	CAM PIN	STAINLESS	560-29-MO	STAINLESS	560-29-MO
30	1	HANDLE PIN	STAINLESS	545-30-SS	STAINLESS	545-30-SS
31	1	BASE ASSEMBLY	STAINLESS	566-3120-SS	STAINLESS	566-3120-MO
32	4	HEX NUT, LOCKWASHER	STAINLESS	10-13-SS	STAINLESS	10-13-SS
33	1	BASE *O* RING	BUNA-N ⁽¹⁾ , FG	547-33-BN/FDA	BUNA-N ⁽¹⁾ , FG	547-33-BN/FDA
34	1	BODY *O* RING	BUNA-N ⁽¹⁾ , FG	567-34-BN/FDA	BUNA-N ⁽¹⁾ , FG	567-34-BN/FDA
35	1	PIN	STAINLESS	549-35-N60	STAINLESS	549-35-N60
36	1	FLANGE ASSEMBLY	ALUMINUM	70-100-AL	ALUMINUM	70-100-AL
37	1	PIPE PLUG	STAINLESS	24-H-SS	STAINLESS	24-H-SS
38	4	HEX NUT, LOCKWASHER	STAINLESS	566-38-SS	STAINLESS	566-38-SS

NOTE: 1 Alternate material available. 2. Alternate handle shapes available.