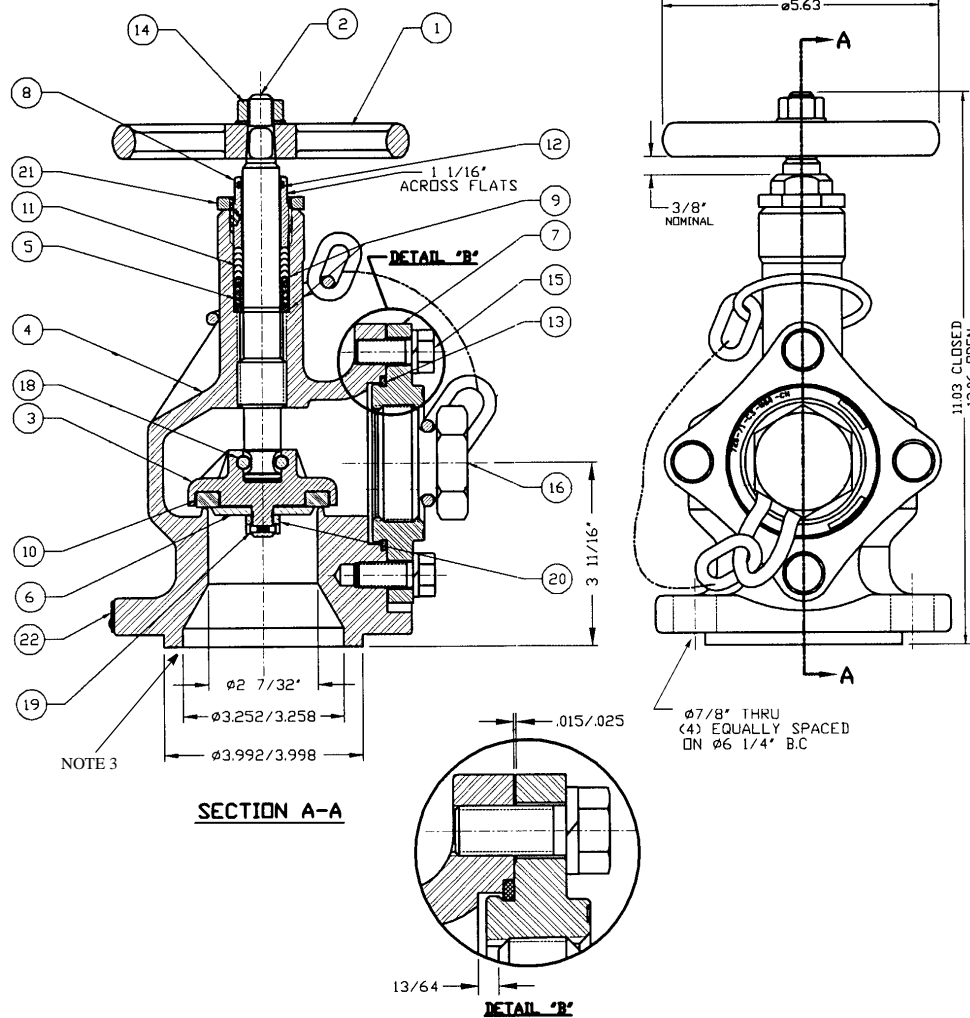


TOP TRANSFER VALVES

A-720 and A-724

2" ANGLE VALVE

© 2002 Midland Manufacturing Corp.
 All designs subject to change without notice. Installation dimensions and mounting arrangements are for general information. Certified drawings are available upon request.



ITEM NO.	QTY	PART NAME	A-720 STAINLESS TRIM		A-724 STAINLESS		
			MATERIAL	PART NO.	MATERIAL	PART NO.	
1	1	HANDWHEEL ⁽²⁾	ALUMINUM ⁽¹⁾	720-1-AL	ALUMINUM ⁽¹⁾	720-1-AL	
2	1	STEM	STAINLESS	720-2-SS	STAINLESS	720-2-SS	
3	1	GASKET RETAINER ⁽⁴⁾	STEEL	720-3-CS	STAINLESS	720-3-SS	
4	1	BODY	STEEL	720-4-CS	STAINLESS	724-4-SS	
5	1	SPRING	STAINLESS	720-5-SS	STAINLESS	720-5-SS	
6	1	RETAINER COVER	STEEL	720-6-CS	STAINLESS	720-6-SS	
7	1	OUTLET FLANGE	STEEL, PLATED	720-71-CS	NITRONIC 60, PLATED ⁽⁵⁾	720-71-N60	
8	1	PACKING SCREW W/IN-SERT	STEEL, PLATED	720-8-CS	STAINLESS	720-8-N60	
9	1	PACKING WASHER	TOP	STAINLESS	720-93-SS	STAINLESS	720-93-SS
	1		BOTTOM	STAINLESS	720-91-SS		720-91-SS
10	1	SEAT SEAL	TEFLON	720-10-TF	TEFLON	720-10-TF	
11	5	PACKING RING	TEFLON	720-11-TF	TEFLON	720-11-TF	
12	1	STEM SEAL	BUNA-N ⁽¹⁾	720-12-BN	BUNA-N ⁽¹⁾	720-12-BN	
13	1	O-RING OUTLET	BUNA-N ⁽¹⁾	720-131-BN	BUNA-N ⁽¹⁾	720-131-BN	
14A	1	NUT	STAINLESS	720-14-SS	STAINLESS	720-14-SS	
14B	1	WASHER	STEEL, PLATED	308-12-CS	STEEL, PLATED	308-12-CS	
15A	4	BOLT	STAINLESS	724-15-SS	STAINLESS	724-15-SS	
15B	4	LOCKWASHER	STAINLESS	724-152-SS	STAINLESS	724-154-SS	
16	1	OUTLET PLUG & CHAIN ⁽¹⁾	STEEL, PLATED	720-16-CS	STAINLESS	720-16-SS	
18A	1	STEM RETAINER	STAINLESS	720-18-SS	STAINLESS	720-18-SS	
18B	2						NUT
19	1	PIN	STAINLESS	720-19-SS	STAINLESS	720-19-SS	
20	1	RETAINER NUT	STEEL, PLATED	720-20-CS	STAINLESS	724-20-SS	
21	1	PACKING LOCK NUT	STEEL, PLATED	720-21-CS	STAINLESS	724-21-SS	
22	1	NAMEPLATE	STAINLESS	720-22-SS	STAINLESS	724-22-SS	

NOTE: 1 Alternate material available. 2 For optional 7 1/2" dia. handwheel, order part number 720-101-AL. 3 For optional mounting gasket order part number 720-23-AB. 4. For retainer assembly consisting of items 3,6,10, 19 & 20, order part number 720-301-CS or 724-301-SS 5. If no plating is desired, specify.



TO PLACE AN ORDER, OR JUST ASK A QUESTION, CALL (847) 677 - 0333 OR FAX (847) 677 - 0138

REVISION 4.0

3/31/05