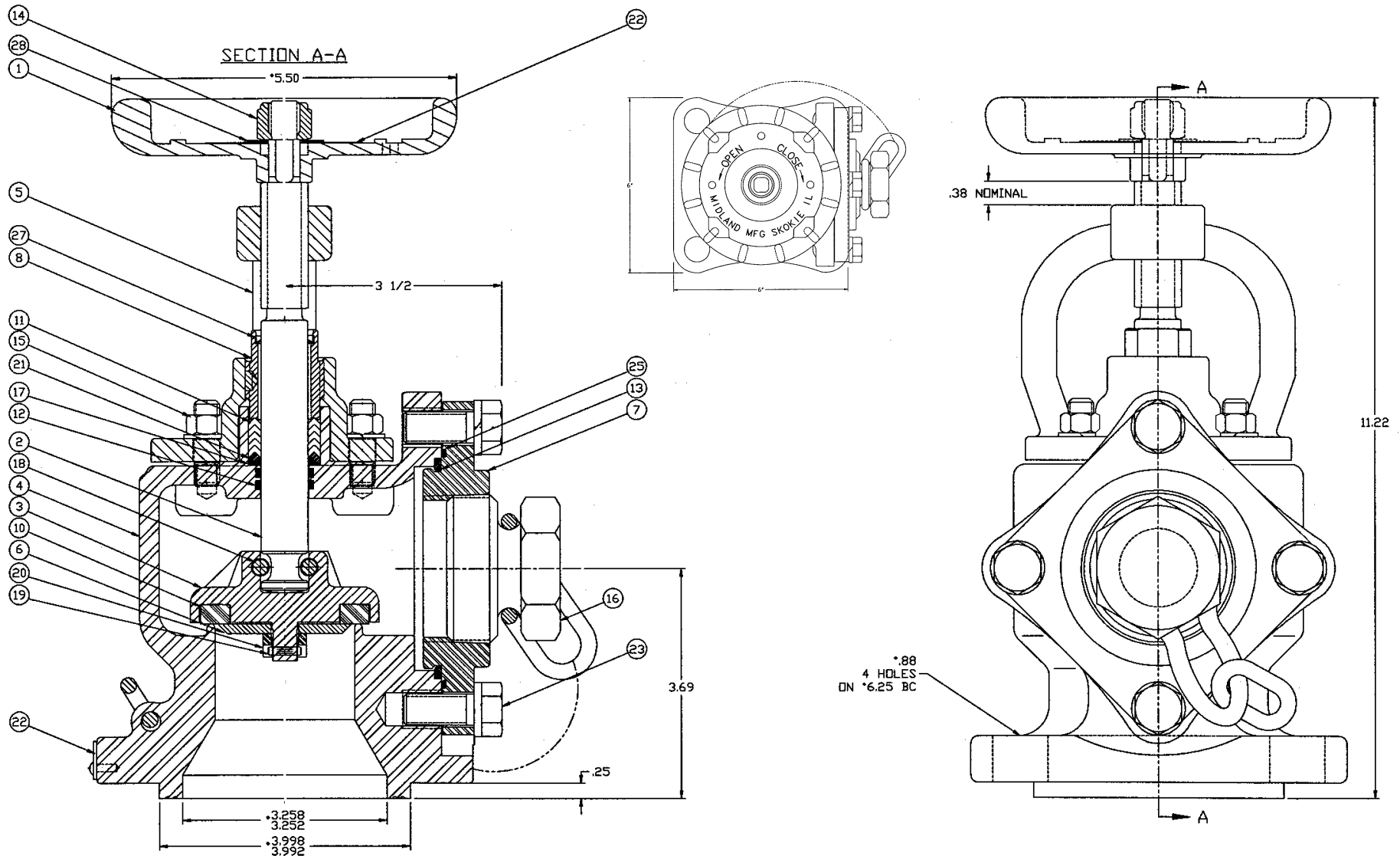


© 2002 Midland Manufacturing Corp.

All designs subject to change without notice. Installation dimensions and mounting arrangements are for general information. Certified drawings are available upon request.

2" ANGLE VALVE



TO PLACE AN ORDER, OR JUST ASK A QUESTION, CALL (847) 677 - 0333 OR FAX (847) 677 - 0138

REVISION 4.0

4/8/03

ITEM NO.	QTY.	PART NAME	A-725-CS		A-725-SS		A-725-CN		A-725-ML	
			MATERIAL	PART NO.	MATERIAL	PART NO.	MATERIAL	PART NO.	MATERIAL	PART NO.
1	1	HANDWHEEL	CAST IRON	713-1-CI	CAST IRON	713-1-CI	CAST IRON	713-1-CI	CAST IRON	713-1-CI
2	1	STEM	STAINLESS	725-2-SS	STAINLESS	725-2-SS	HASTELLOY C	725-2-HC	HASTELLOY C	725-2-HC
3	1	SEAL RETAINER ⁽¹⁾	STEEL	720-3-CS	STAINLESS	720-3-SS	ALLOY 20	720-3-CN	MONEL	720-3-ML
4	1	BODY	STEEL	725-4-CS	STAINLESS	725-4-SS	ALLOY 20	725-4-CN	MONEL	725-4-ML
5	1	BONNET	STAINLESS	725-5-SS	STAINLESS	725-5-SS	ALLOY 20	725-5-CN	MONEL	725-5-ML
6	1	SEAL WASHER	STEEL	720-6-CS	STAINLESS	720-6-SS	ALLOY 20	720-6-CN	MONEL	720-6-ML
7	1	OUTLET FLANGE	STEEL, PLATED	725-71-CS	NITRONIC 60, PLATED ⁽⁴⁾	725-71-N60	NITRONIC 60, PLATED ⁽⁴⁾	725-71-N60	MONEL	725-71-ML
8	1	PACKING SCREW	STEEL	713-81-CS	NITRONIC 60	713-81-N60	ALLOY 20	713-81-CN	MONEL	713-81-ML
10	1	SEAT SEAL	PTFE	720-10-TF	PTFE	720-10-TF	PTFE	720-10-TF	PTFE	720-10-TF
11	5	PACKING RING	PTFE	713-11-TF	PTFE	713-11-TF	PTFE	713-11-TF	PTFE	713-11-TF
12	2	STEM "O" RING	BUNA-N	713-12-BN	BUNA-N	713-12-BN	VITON	713-12-VL	VITON	713-12-VL
13	1	OUTLET "O" RING	BUNA-N	720-131-BN	BUNA-N	720-131-BN	VITON	720-131-VL	VITON	720-131-VL
14	1	LOCKNUT W/INSERT	STAINLESS	713-14-SS	STAINLESS	713-14-SS	STAINLESS	713-14-SS	STAINLESS	713-14-SS
15A	4	STUD	STAINLESS	713-151-SS	STAINLESS	713-151-SS	STAINLESS	713-151-SS	MONEL	713-151-ML
15B	4	LOCKWASHER	STAINLESS	713-152-MO	STAINLESS	713-152-MO	STAINLESS	713-152-MO	MONEL	713-152-ML
15C	4	NUT	STAINLESS	713-153-MO	STAINLESS	713-153-MO	STAINLESS	713-153-MO	MONEL	713-153-ML
16	1	OUTLET PLUG & CHAIN	STEEL, PLATED	720-16	STAINLESS	720-16	STAINLESS	720-16-MO	MONEL	720-16-ML
17	1	PACKING SPRING	INCONEL	713-17-IN	INCONEL	713-17-IN	INCONEL	713-17-IN	INCONEL	713-17-IN
18A	1	U-BOLT	STAINLESS	720-18-SS	STAINLESS	720-18-SS	ALLOY 20	720-18-CN	MONEL	720-18-ML
18B	2	NUT	STAINLESS	720-181-SS	STAINLESS	720-181-SS	ALLOY 20	720-181-CN	MONEL	720-181-ML
19	1	RETAINER PIN	STAINLESS	720-19-SS	STAINLESS	720-19-SS	HASTELLOY C	720-19-HC	HASTELLOY C	720-19-HC
20	1	RETAINER NUT	STEEL	720-20-CS	STAINLESS	720-20-SS	ALLOY 20	720-20-CN	MONEL	720-20-ML
21	1	MALE PACKING ADAPTER	STAINLESS	713-21-MO	STAINLESS	713-21-MO	ALLOY 20	713-21-CN	MONEL	713-21-ML
22	1	NAMEPLATE	STAINLESS	725-221-SS	STAINLESS	725-222-SS	STAINLESS	725-223-SS	MONEL	725-224-ML
23A	4	BOLT	STAINLESS	724-15-SS	STAINLESS	724-15-SS	STAINLESS	724-15-MO	MONEL	724-15-ML
23B	4	LOCKWASHER	STAINLESS	724-152-SS	STAINLESS	724-152-SS	STAINLESS	724-152-MO	MONEL	724-152-ML
25	1	OUTLET O-RING	BUNA-N	13-221-BN	BUNA-N	13-221-BN	VITON	13-221-VL	VITON	13-221-VL
26	1	INSTRUCTION PLATE	PLASTIC	713-26-PS	PLASTIC	713-26-PS	PLASTIC	713-26-PS	PLASTIC	713-26-PS
27	1	WIPER	PTFE	713-33-TF	PTFE	713-33-TF	PTFE	713-33-TF	PTFE	713-33-TF
28	1	FLAT WASHER	STAINLESS	713-141-SS	STAINLESS	713-141-CS	STAINLESS	713-141-SS	STAINLESS	713-141-SS
29	-	COATING					ETFE	725-457	ETFE	725-457

NOTE: 1 For retainer assembly consisting of items 3,6,10, 19 & 20, order part number 720-301 and specify material in suffix (i.e. 720-301-CS). **2.** If no plating is desired, specify.