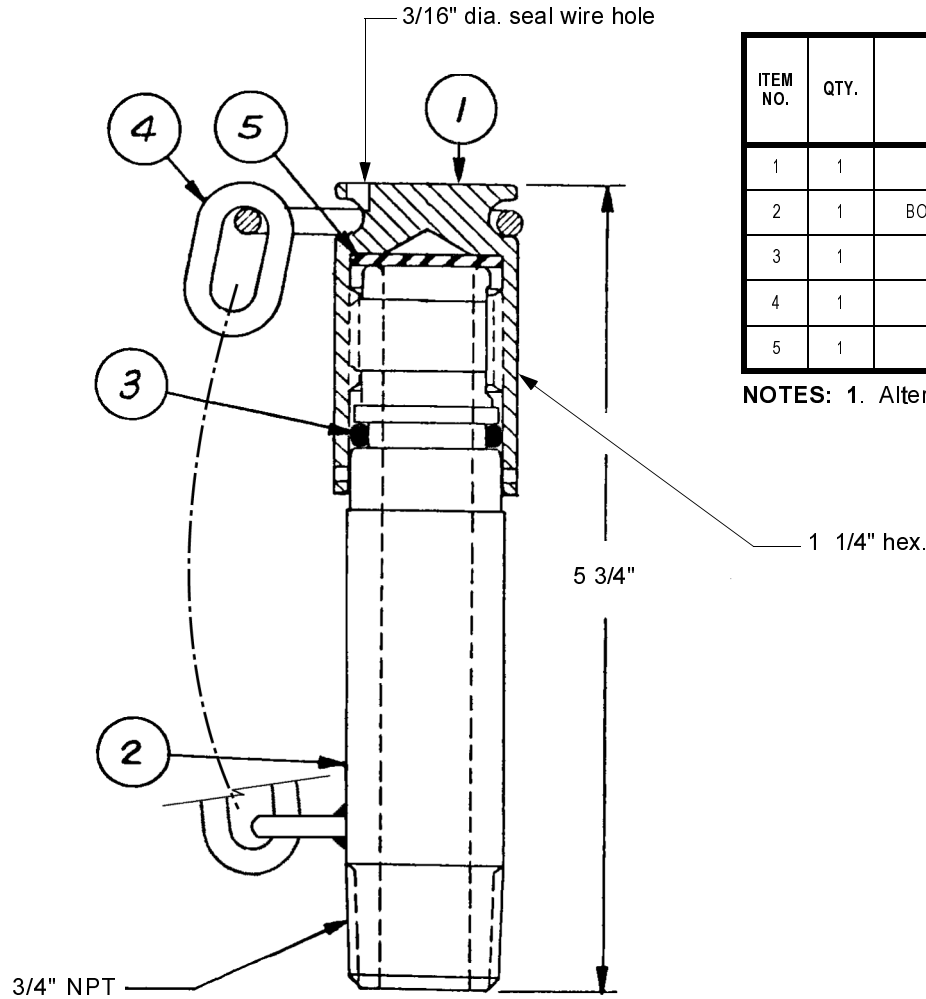


© 2002 Midland Manufacturing Corp.

All designs subject to change without notice. Installation dimensions and mounting arrangements are for general information. Certified drawings are available upon request.

THERMOWELL ASSEMBLY 3/4" NPT



ITEM NO.	QTY.	PART NAME	B-290-CS		B-290-SS		B-290-MO	
			MATERIAL	PART NO.	MATERIAL	PART NO.	MATERIAL	PART NO.
1	1	CAP	STEEL	290-1-CS	STAINLESS	290-1-SS	STAINLESS TYPE 316	290-1-MO
2	1	BODY ASSEMBLY	STEEL	290-2-CS	STAINLESS	290-2-SS	STAINLESS TYPE 316	290-2-MO
3	1	"O" RING	BUNA-N(1)	290-3-BN	BUNA-N(1)	290-3-BN	BUNA-N(1)	290-3-BN
4	1	CHAIN	STEEL	290-4-CS	STAINLESS	290-4-SS	STAINLESS	290-4-SS
5	1	GASKET	BUNA-N(1)	290-5-BN	BUNA-N(1)	290-5-BN	BUNA-N(1)	290-5-BN

NOTES: 1. Alternate material available



TO PLACE AN ORDER, OR JUST ASK A QUESTION, CALL (847) 677 - 0333 OR FAX (847) 677 - 0138

REVISION 4.0

4/23/95