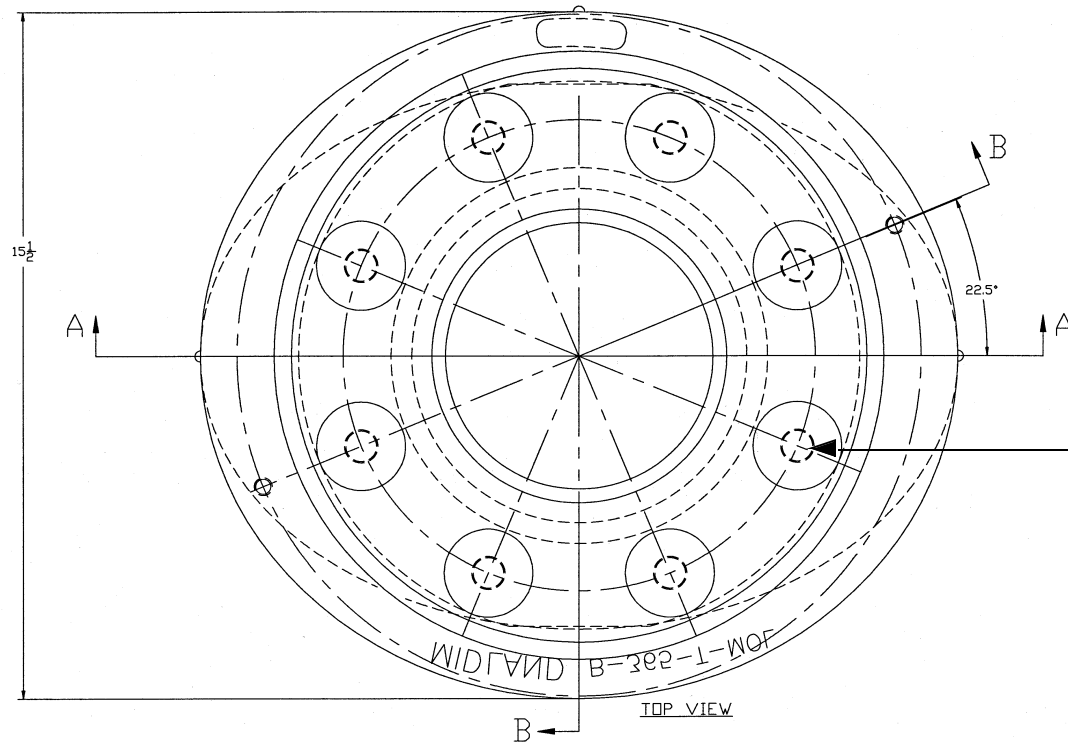


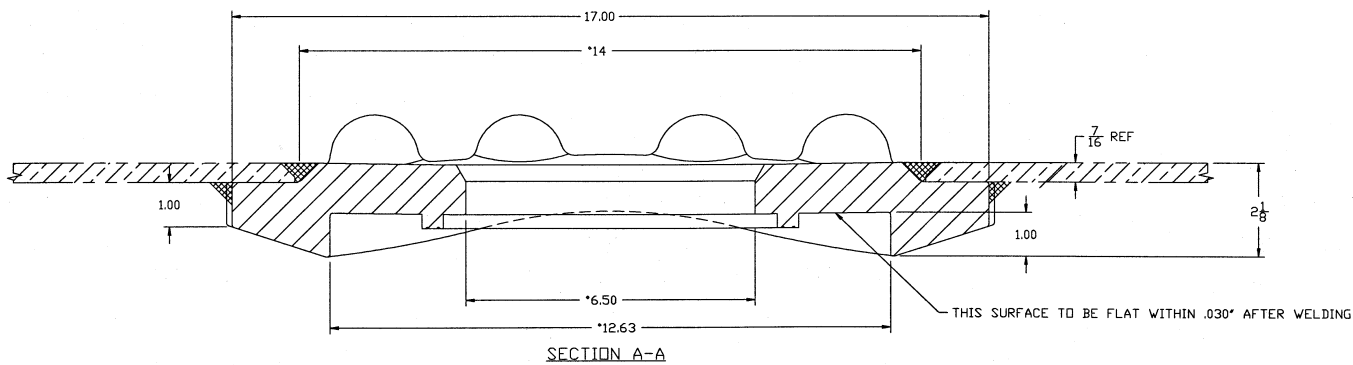
© 2003 Midland Manufacturing Corp.

All designs subject to change without notice. Installation dimensions and mounting arrangements are for general information. Certified drawings are available upon request.

6" BOTTOM OUTLET VALVE SADDLE



(8) 3/4" - 10 HOLES ON 10-5/8" O.B.C. ON FAR SIDE



PART NUMBER	MATERIAL
B-365-T-CS	AAR M201B 0.30C MAX.
B-365-T-SSL	ASTM A743 CF 3 (TYPE 304 L)
B-365-T-M0L	ASTM A743 CF 3M (TYPE 316 L)



TO PLACE AN ORDER, OR JUST ASK A QUESTION, CALL (847) 677 - 0333 OR FAX (847) 677 - 0138

REVISION 4.0

02/12/04