

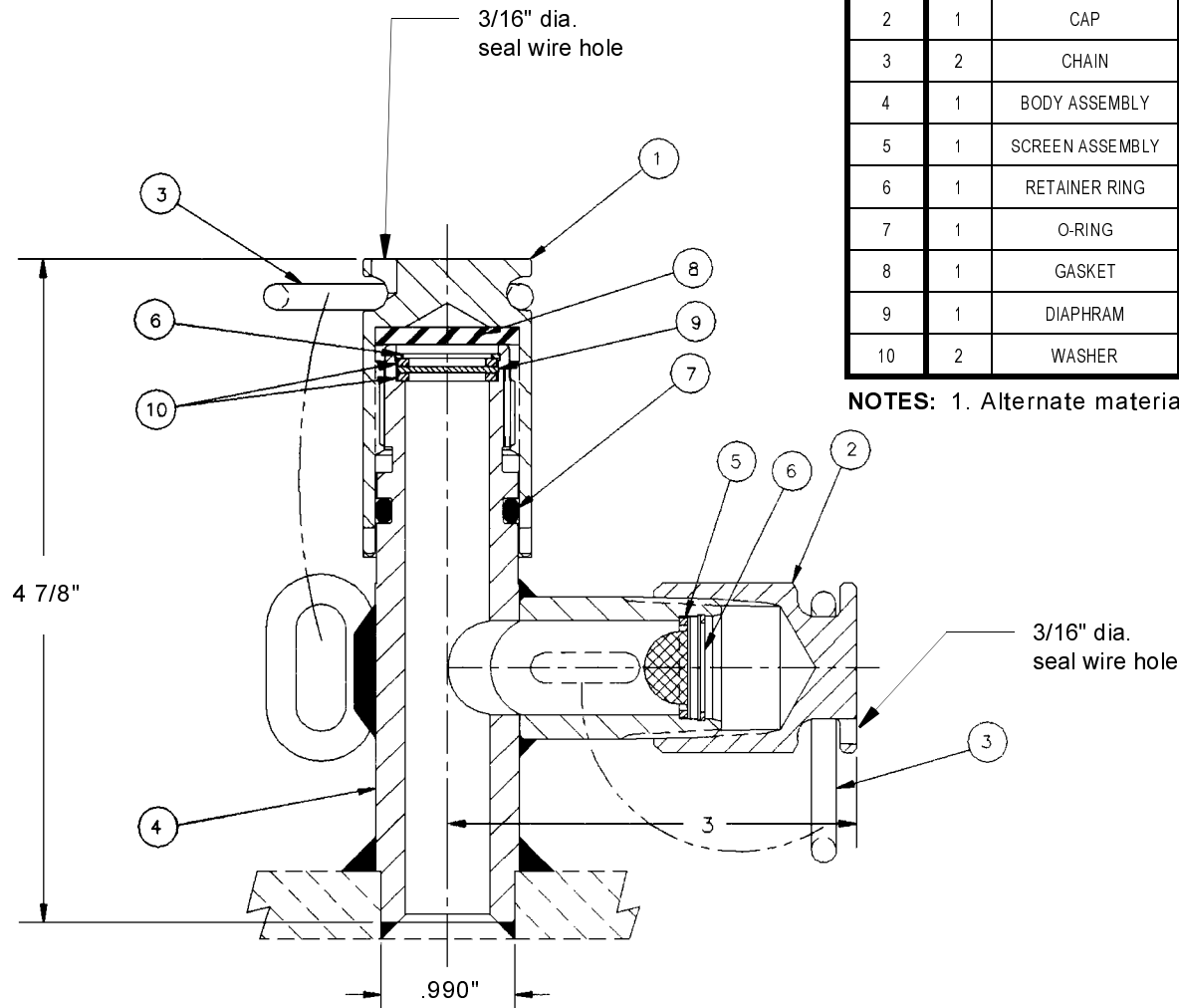
© 2002 Midland Manufacturing Corp.

All designs subject to change without notice. Installation dimensions and mounting arrangements are for general information. Certified drawings are available upon request.

MULTI PURPOSE CONNECTION

ITEM NO.	QTY.	PART NAME	B-482-CS		B-482-SS		B-482-MO	
			MATERIAL	PART NO.	MATERIAL	PART NO.	MATERIAL	PART NO.
1	1	CAP	STEEL	290-1-CS	STAINLESS	290-1-SS	STAINLESS	290-1-SS
2	1	CAP	STEEL	33-1-CS	STAINLESS	33-1-SS	STAINLESS	33-1-MO
3	2	CHAIN	STEEL	290-4-CS	STEEL	290-4-CS	STEEL	290-4-CS
4	1	BODY ASSEMBLY	STEEL	482-4-CS	NITRONIC 60	482-4-N60	STAINLESS	482-4-MO
5	1	SCREEN ASSEMBLY	STAINLESS	476-3-MO	STAINLESS	476-3-MO	STAINLESS	476-3-MO
6	1	RETAINER RING	STAINLESS	476-5-MO	STAINLESS	476-5-MO	STAINLESS	476-5-MO
7	1	O-RING	BUNA-N(1)	290-3-BN	BUNA-N(1)	290-3-BN	BUNA-N(1)	290-3-BN
8	1	GASKET	BUNA-N(1)	290-5-BN	BUNA-N(1)	290-5-BN	BUNA-N(1)	290-5-BN
9	1	DIAPHRAM	BUNA-N(1)	482-1-BN	BUNA-N(1)	482-1-BN	BUNA-N(1)	482-1-BN
10	2	WASHER	STAINLESS	482-2-SS	STAINLESS	482-2-SS	STAINLESS	482-2-M O

NOTES: 1. Alternate materials available.



FUNCTIONS:

- 1. Air connection
- 2. Screen vent
- 3. Thermometer access
- 4. Pressure test fitting



TO PLACE AN ORDER, OR JUST ASK A QUESTION, CALL (847) 677 - 0333 OR FAX (847) 677 - 0138

REVISION 4.0

1/30/96