

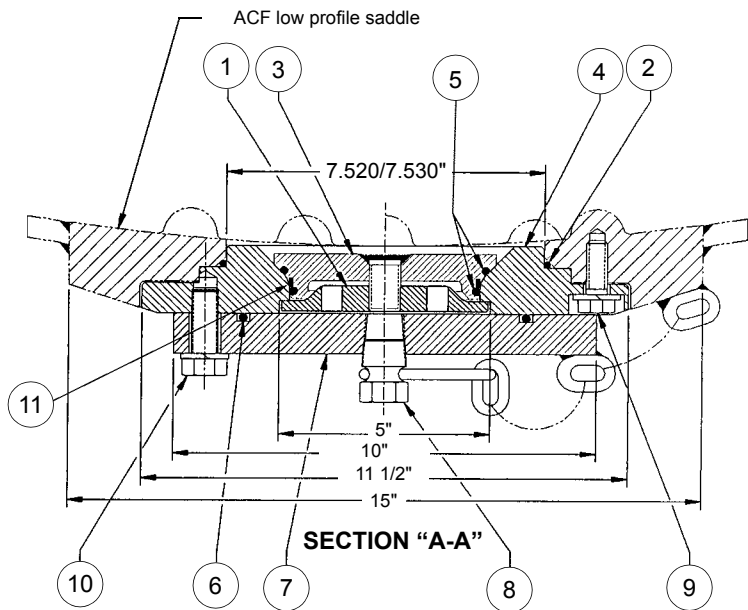
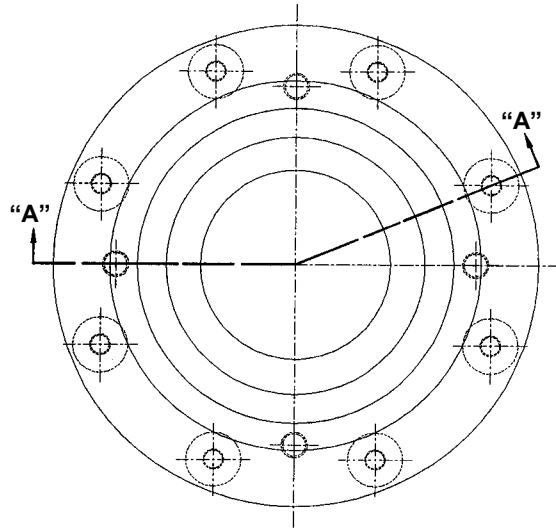
**BOTTOM EQUIPMENT  
WASHOUT FOR ACF SADDLE**

**B-51-CS, B-51-SS, B-51-MO**

© 2003 Midland Manufacturing Corp.

All designs subject to change without notice. Installation dimensions and mounting arrangements are for general information. Certified drawings are available upon request.

**TOP VIEW**



ITEM	QTY.	PART NAME	B-51-CS		B-51-SS (TYPE 304)		B-51-MO (TYPE 316)	
			MATERIAL	PART NO.	MATERIAL	PART NO.	MATERIAL	PART NO.
1	1	PLUG RETAINER	STEEL	50-1-CS	STAINLESS	50-1-SS	STAINLESS	50-1-MO
2	1	"O" RING	BUNA-N <sup>(1)</sup>	547-34-BN	BUNA-N <sup>(1)</sup>	547-34-BN	BUNA-N <sup>(1)</sup>	547-34-BN
3	1	WASHOUT PLUG	STEEL	50-3-CS	STAINLESS	50-3-SS	STAINLESS	50-3-MO
4	1	NOZZLE FLANGE	STEEL	51-4-CS	STAINLESS	51-4-SS	STAINLESS	51-4-MO
5	2	"O" RING	BUNA-N <sup>(1)</sup>	545-11-BN	BUNA-N <sup>(1)</sup>	545-11-BN	BUNA-N <sup>(1)</sup>	545-11-BN
6	1	"O" RING	BUNA-N <sup>(1)</sup>	547-33-BN	BUNA-N <sup>(1)</sup>	547-33-BN	BUNA-N <sup>(1)</sup>	547-33-BN
7	1	FLANGE	STEEL	50-7-CS	STAINLESS	50-7-SS	STAINLESS	50-7-SS
8	1	3/4" PIPE PLUG WITH 1/4" X 3/8" CHAIN	STEEL	23-CS/CS	STAINLESS	23-SS/SS	STAINLESS	23-SS/SS
9A	8	1/2-13 1-1/4" LONG CAP SCREWS	STAINLESS	724-15-SS	STAINLESS	724-15-SS	STAINLESS	724-15-SS
9B	8	LOCKWASHER	STAINLESS	724-152-SS	STAINLESS	724-152-SS	STAINLESS	724-152-SS
10	4	5/8-11 SHEAR BOLT WITH LOCK-WASHER	STEEL	547-32-CS	STEEL <sup>(1)</sup>	547-32-CS	STEEL <sup>(1)</sup>	547-32-CS
11	1	WIPER RING	PTFE	545-14-TF	PTFE	545-14-TF	PTFE	545-14-TF

**NOTE: 1** Alternate material available.



TO PLACE AN ORDER, OR JUST ASK A QUESTION, CALL (847) 677 - 0333 OR FAX (847) 677 - 0138

REVISION 4.0

10/15/03