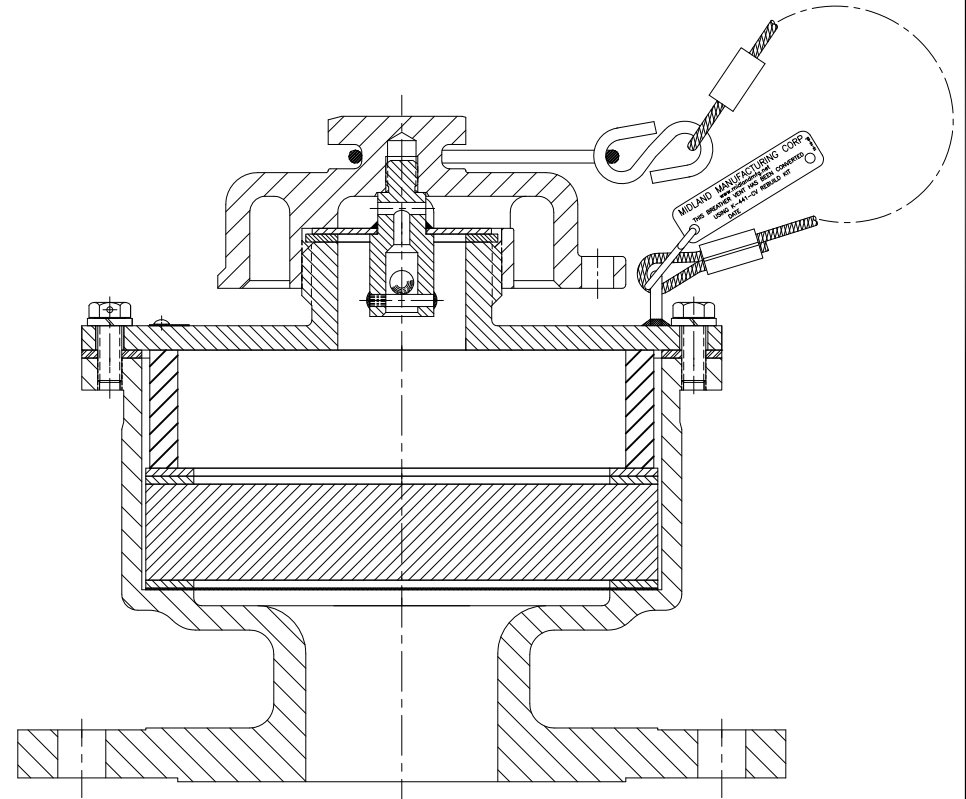


-GT VERSION
BEFORE K-441-CV KIT INSTALLATION



-CV VERSION
AFTER K-441-CV KIT INSTALLATION

| | | | |
|--|-----------|--|---------------|
| MIDLAND ™ MANUFACTURING CORP. SKOKIE, IL, U.S.A. | | | |
| K-441-CV KIT INSTRUCTIONS | | | |
| MATERIAL: | | TOLERANCES UNLESS SPECIFIED: 2 PLACE DECIMAL ± .015 3 PLACE DECIMAL ± .005 ANGULAR ± 1° FRACTIONS ± 1/64 CHAMFERS AND WELD PREP ± 5' | |
| REMOVE ALL BURRS. BREAK ALL EDGES & CORNERS. | | FINISH (Ra) : √ = 125 | |
| SCALE: 1:2 | DRAWN: FS | DATE: 5/14/07 | APPROVED: RHD |
| CAD FILE NO. 8332 | SIZE B | DWG NO. 441-INST | REV |

| | | | | |
|-----|-----------|-----|------|-----|
| LTR | REVISIONS | DRN | DATE | APP |
|-----|-----------|-----|------|-----|