



A-441 Vent Valve

Midland A-441 Vent Valve meets hydrogen peroxide performance regulations

The Midland A-441 Vent Valve offers reliable, long-term performance with liquid-tight sealing capabilities to meet Transport Canada (CAN/CGSB-43.147-2002) performance regulations for hydrogen peroxide shipping.

The modified vent valve consists of a new component check valve in the cap which will meet the requirement for liquid-tight shutoff in case of a rollover. In addition, the design has gone back to the use of a stone filter instead of membrane filters. The ceramic stone filter is proven to have better, longer wear characteristics and improved chemical resistance in comparison to the membrane filters currently in use.

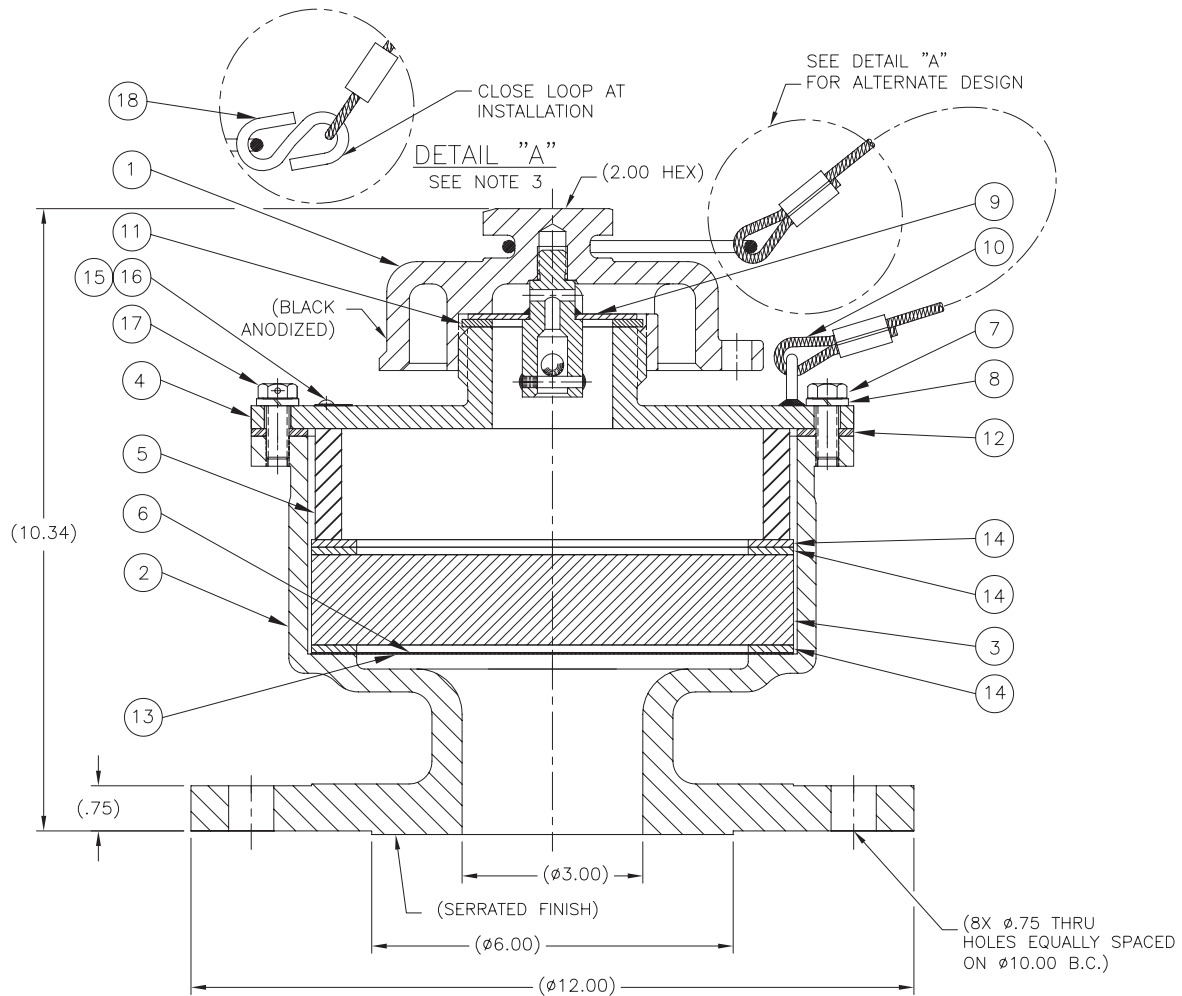
A retrofit kit is now available for order under part number K-441-CV.

Features

- **New component check valve provides liquid-tight shutoff in case of rollover**
- **Design replaces membrane filter with stone filter**
- **Stone filter has longer wear characteristics and improved chemical resistance**
- **Liquid-tight sealing meets Transport Canada shipping requirements**
- **Can be retrofitted in the field**



A-441 Vent Valve



Ordering Specifications

A-441 Vent Valve

ITEM	DESCRIPTION
1	VENT COVER
2	BASE
3	FILTER
4	RETAINER
5	SPACER
6	MESH SCREEN
7	BOLT
8	LOCKWASHER
9	CHECK VALVE

A-441 Vent Valve

ITEM	DESCRIPTION
10	CABLE ASSEMBLY
11	TOP GASKET
12	FLANGE GASKET
13	SUPPORT SCREEN
14	FILTER GASKET
15	NAMEPLATE
16	DRIVE SCREW
17	BOLT W/SEAL HOLE
18	S-HOOK

NOTE:

- (1) ALTERNATIVE MATERIAL AVAILABLE.
- (2) IF CONVERTING FROM -GT TO -CV THESE PARTS ARE INCLUDED IN REBUILD KIT
- (3) S-HOOK IS USED WHEN INSTALLING REBUILD KIT VENT COVER.
- (4) OUT FLOW RATING OF CHECK VALVE 3.2 SCFM AIR.