



Pressure Relief Valve A-14167-KY/A-14167-3KY For Hydrochloric Acid Service

High-Performance Pressure Relief Valve with Durable Corrosion- Resistant Wetted Parts

Midland Manufacturing has been providing tank-car valves and fittings for the safe loading, transportation and unloading of hydrochloric acid since its founding. Utilizing its more than 50 years of experience as the leading manufacturer of valves, actuators, gauges and other equipment for the railroad tank-car industry, Midland has developed a new pressure relief valve constructed with PVDF-wetted parts to resist the corrosive effects of HCl.

The A-14167-KY/A-14167-3KY HCL Pressure Relief Valve, is the newest member of Midland's complete line of Pressure Relief Valves for rail tank cars. Midland PRVs offer performance, reliability and flexibility of use in an easy-to-maintain product design. All of the wetted parts exposed to the HCL vapors in the tank-car are manufactured using corrosion-resistant PVDF materials to maximize the in-service time of every tank car. All of the PVDF internals are completely protected from abuse by the corrosion resistant PTFE-coated stainless-steel body.



Using the new A-14167-KY/A-14167-3KY pressure relief valve for HCL service eliminates the need for expensive replacement rupture discs and time-consuming pre-trip inspections of the rupture discs inside of the rupture disc devices before every shipment.

The A-14167-KY/A-14167-3KY has proven to reduce the number of NARs caused by car handling and eliminated the cost of replacing ruptured discs blown during transit.

Features

- The valve is available with a 4-bolt mounting pattern for new construction and a 3-bolt option when replacing rupture disc devices on existing railcars
- Corrosion-Resistant PVDF internal wetted surfaces
- Durable PTFE-Coated Stainless-steel encasing of plastic parts
- Valve recloses after over-pressure eliminating the need to replace blown rupture discs
- 165# Start to discharge setting
- Eliminates the need for pre-trip inspection of rupture discs

HCI Pressure Relief Valve

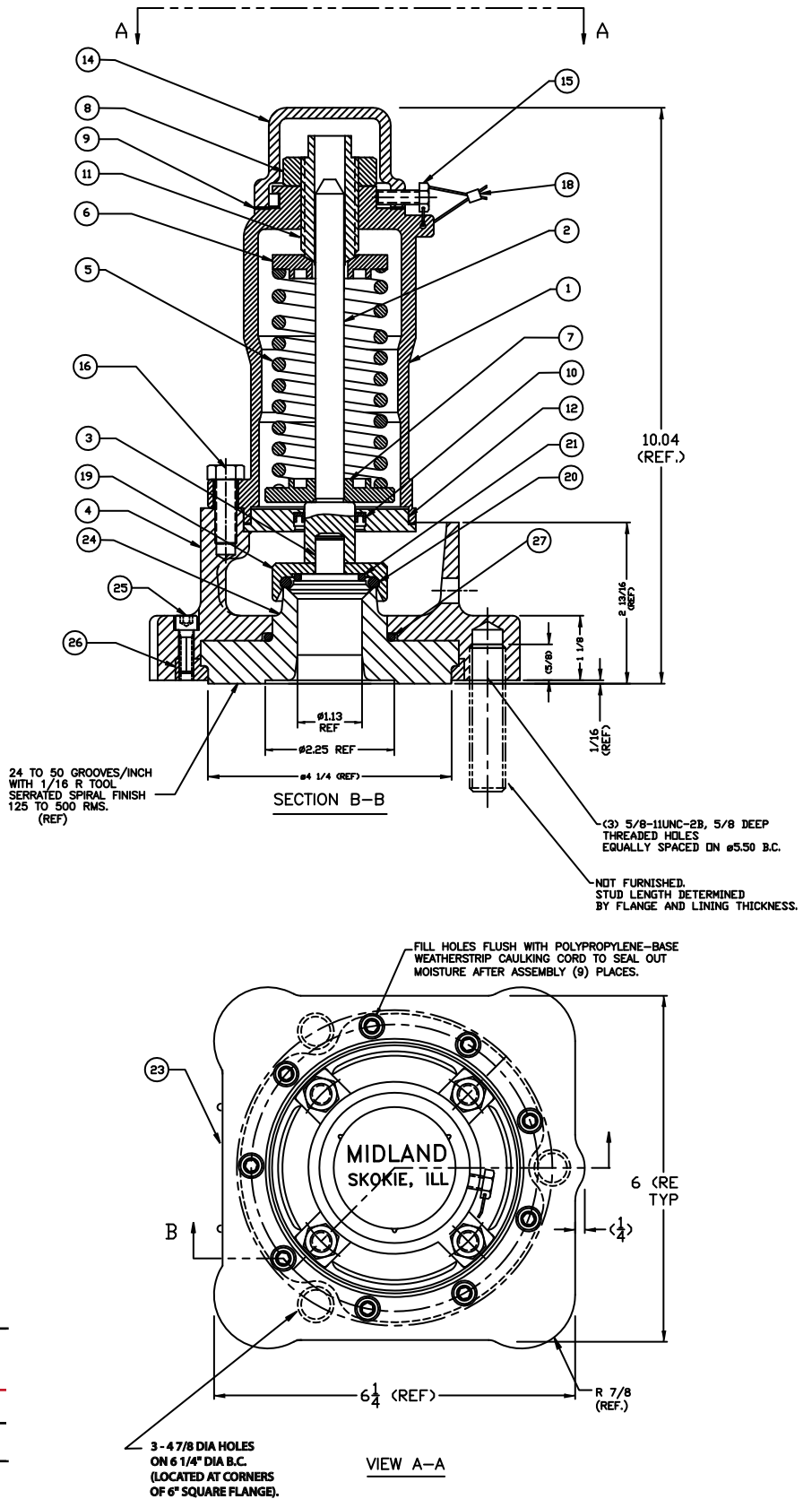
Ordering Specifications

HCI Pressure Relief Valve	
ITEM	DESCRIPTION
1	14-101-SSTF, TOP GUIDE (1)
2	14-2-XB, STEM
3	14-3-KY, PLUG (3)
4	14-401-MOL, BODY (1)
5	15-225-MO, SPRING
6	14-6-SS, FOLLOWER
7	14-7-SS, GUIDE
8	15-8-SS, TOP NUT, PACKING FLANGE
9	15-9-VA (5), TOP GASKET
10	17-10-TF, SHAFT SEAL
11	15-116-SS, ADJUSTING SCREW
12	14-12-KY, SEAL RETAINER (3)
13	
14	14-14-SSTF, CAP (1)
15	15-15-CSTF, SEAL SCREW (1)
16	15-160-MO, CAP SCREW (2)
17	
18	22-72-PB, WIRE SEAL
19	14-19-HB, RETAINER
20	10-10-VG, SEAT "O" RING
21	10-11-VG, PLUG "O" RING
22	
23	14-1670-SS, NAMEPLATE
24	14-240-KY, BODY INSERT (3)
25	14-250-MOTF, SOCKED HEAD CAP SCREW
26	14-280-SS, RING (1)
27	14-27-VA, O-RING (-226)

NOTE:

- (1) GREEN ETFE COATED PER DRG 14-145.
- (2) BLAK PTFE COATED.
- (3) ALTERNATIVE MATERIAL AVAILABLE.
- (4) AAR PDO92007
- (5) ALTERNATIVE MATERIALS AVAILABLE.

VALVE PART NUMBER	SETTING PRESSURE (PSIG)	FLOW RATE (SCFM AIR)	SPRING PART NUMBER
A-1477-KY	75	2027	15-150-SS
A-14167-KY	165	3612	15-225-SS



Learn more about stopping NARs. Go to midlandmfg.net and follow the link to <http://nar.aar.com>

PHONE: (847) 677-0333 • Fax: (847) 677-0138

7733 Gross Point Road • Skokie, IL 60077 • www.midlandmfg.net